

Standard Door Sizes

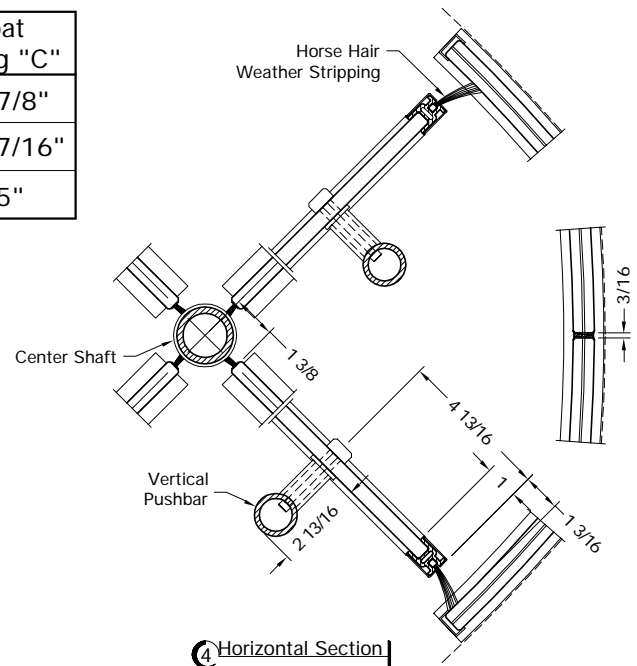
| Nominal Diameter | Inside Diameter "A" | Outside Netframe "B" | Throat Opening "C" |
|------------------|---------------------|----------------------|--------------------|
| 6'-6" | 6'-6 3/4" [2000MM] | 6'-8 11/16" | 4'-5 7/8" |
| 7'-0" | 7'-2 5/8" [2200MM] | 7'-4 9/16" | 4'-11 7/16" |
| 8'-0" | 7'-10 1/2" [2400MM] | 8'-0 7/16" | 5'-5" |

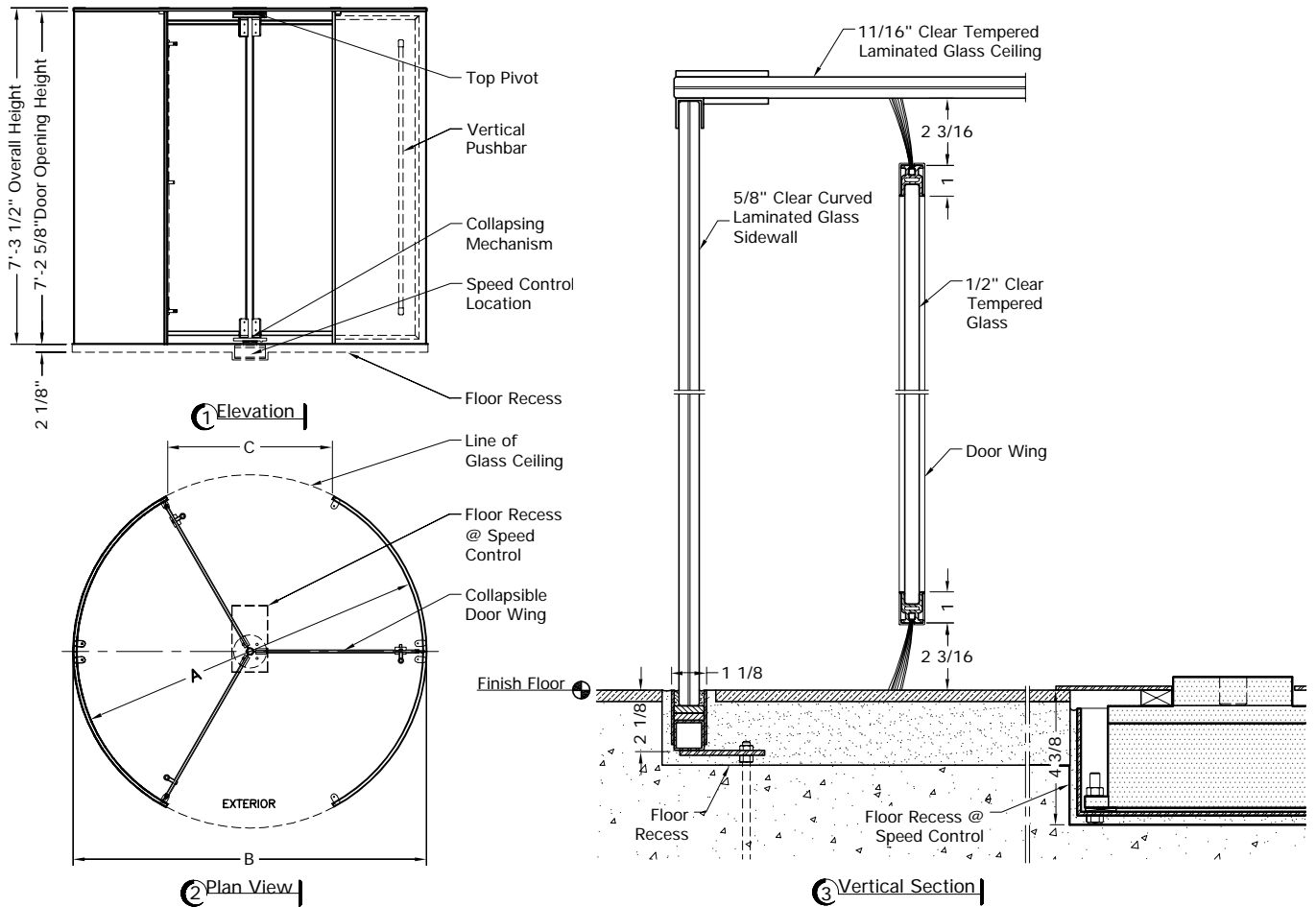
Options:

-Extended Door Heights
(Contact Factory)

Installation:

Door Installed Recessed in Floor
Floor Must Be Dead Level.
Door is free-standing (No Vertical Structural Support is Required).
Door Ties to Adjacent Storefront or Curtain-wall System for Lateral Stability.
Adjacent Construction Not to Bear Down on any Part of Revolving Door.





Standard Door Sizes

| Nominal Diameter | Inside Diameter "A" | Outside Netframe "B" | Throat Opening "C" |
|------------------|---------------------|----------------------|--------------------|
| 7'-0" | 7'-2 5/8" [2200MM] | 7'-4 9/16" | 3'-5 3/8" |
| 8'-0" | 7'-10 1/2" [2400MM] | 8'-0 7/16" | 3'-9 1/4" |

Options:

-Extended Door Heights
(Contact Factory)

Installation:

Door Installed Recessed in Floor
Floor Must Be Dead Level.
Door is free-standing (No Vertical Structural Support is Required).
Door Ties to Adjacent Storefront or Curtain-wall System for Lateral Stability.
Adjacent Construction Not to Bear Down on any Part of Revolving Door.

