



Power Transfer Devices

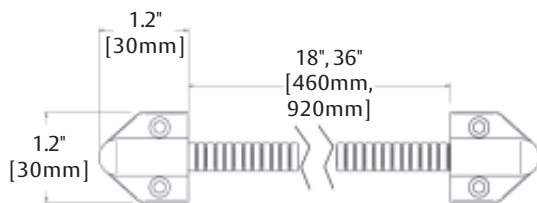


(TSB-C) Door Cord

- Simplest and most economical solution for power transfer
- 18" cord is standard with *Touch Sense Bar and Touch Sense Handle* but may also be purchased separately
- Consists of an 18" [460mm] or 36" [920mm] armored stainless steel cable and plastic end pieces in light gray and black
- Cable has an interior diameter of .25" [6mm]
- Supports interior wire cables up to .2" [5mm] thick

How To Order

Part #	Description
TSB-C	Door Cord With Gray/Black Caps 18" Cord
TSB-CXL	Door Cord With Gray/Black Caps 36" Cord

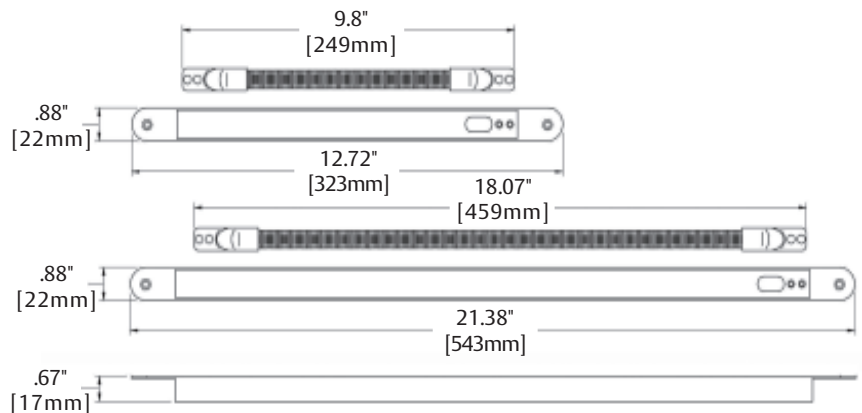


(EPT) Electrical Power Transfer

- Installs in the door and frame edges
- Accepts a thick cable and protects it within a flexible steel shield
- Near universal device that will work on any type of door hung using butt hinges, continuous hinges or pivots
- Will not function on a center pivot door
- Manufactured by Abloy Oy for Securitron

How to Order

Part #	Description
EPT	Electrical Power Transfer
EPTL	Electrical Power Transfer, Long
EL-EPT	ElectroLynx EPT
EL-EPTL	ElectroLynx EPTL



EPT can be ordered
ElectroLynx-ready

Approvals and Listings

- EPT/EPTL - Underwriter's Laboratories: File BP6799 (UL 634)





Power Transfer Devices

(EH) Electric Hinge

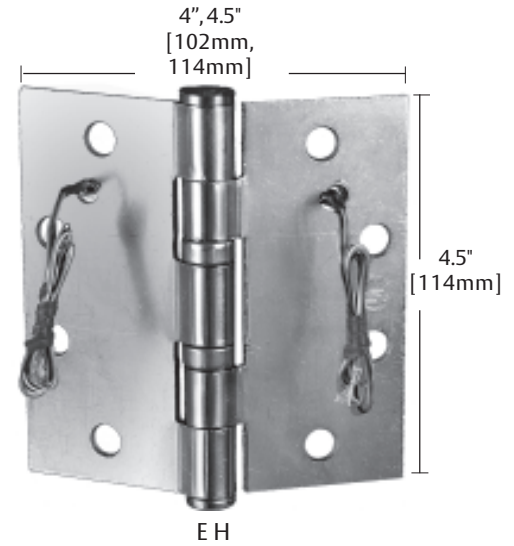
- Transfers power with the highest level of concealment
- Produces the most aesthetically pleasing installation
- Manufactured by McKinney Hinge

Specification Data

500mA current carrying capability
6 conductor, 28 gauge wire

How To Order

Part #	Description
EH-40	Electrified Hinge 4.5" x 4" Stainless 6 Wire
EH-45	Electrified Hinge 4.5" x 4.5" Stainless 6 Wire



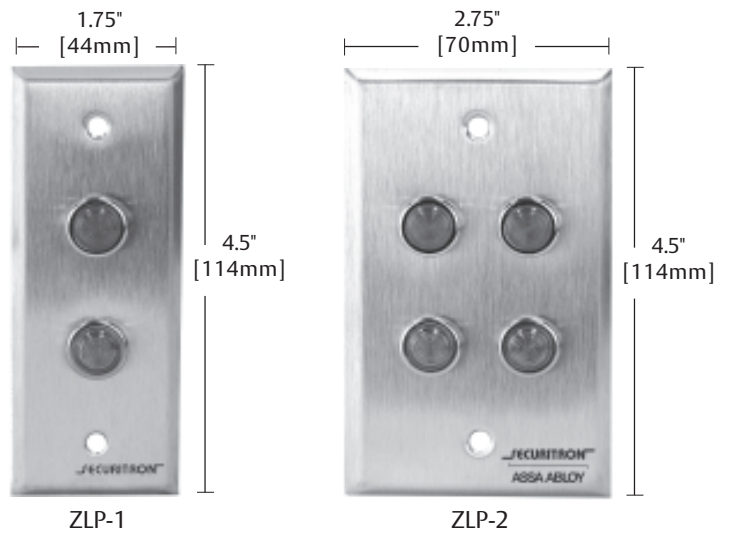
LED Monitors & Control Stations

(ZLP) Zone Light Panels

- Provides visual status of a lock or other device
- Red and Green LEDs
- Stainless steel face plate

How To Order

Part #	Description
ZLP-1	Narrow Stile (one Red/Green LED)
ZLP-2	Single Gang (two Red/Green LEDs)
ZLP-4	Double Gang (four Red/Green LEDs)

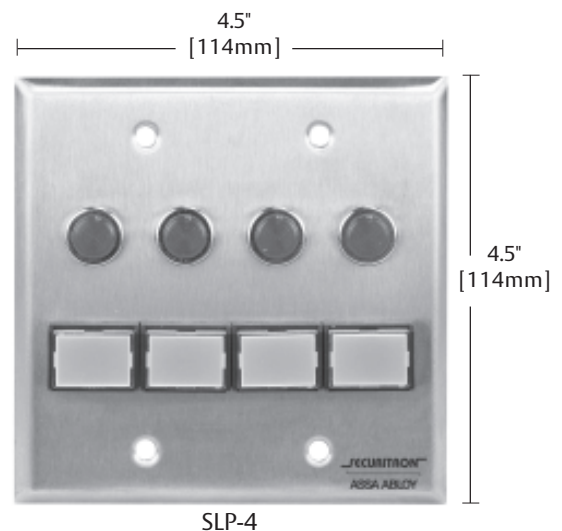


(SLP) Switch Light Panel

- Control and monitor up to 4 electric locks
- Momentary and alternate models available
- Red LEDs and 1" x 3/4" rectangle green buttons, illuminated
- Stainless steel face plate

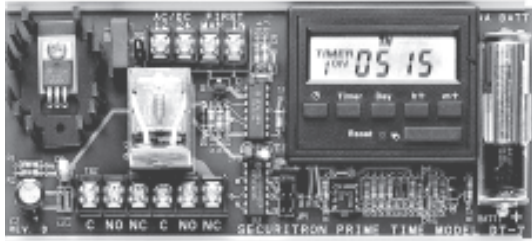
How To Order

Part #	Description
SLP-4	Double Gang, Momentary
SLP-4A	Double Gang, Alternate





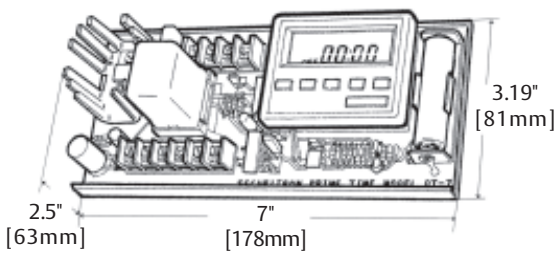
Timers



(DT-7) Prime Time Digital Timer

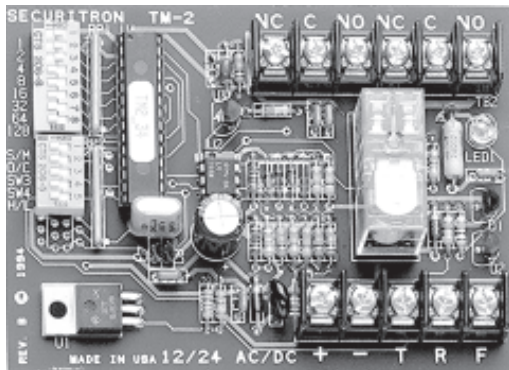
Application - Used to turn electric locks or other security systems on and off at programmed times.

- 7-day digital timer
- 10 Amp DPDT relay can be operated in toggle or pulse mode
- 12 programmed on/off times set daily (6 on, 6 off), on selected days, or on blocks of days
- "First Man In" feature delays operation until an external switch changes state and automates holiday programming in many applications
- 12 or 24 VAC or VDC
- AA battery provides backup to the display module program memory



How to Order

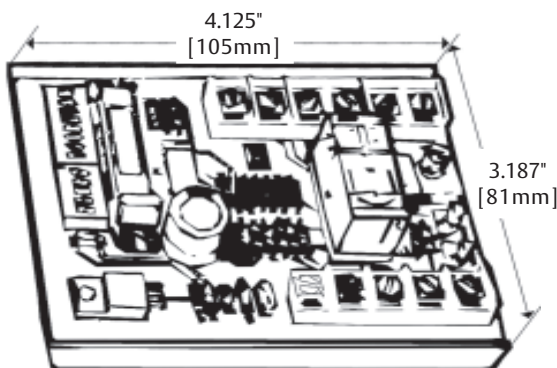
Part #	Description
DT-7	Prime Time 7 Day Digital Timer



(TM-2) Time Master II Multi-Function Timer

Application - The ideal solution for unusual time sequencing requests like bank or ATM vaults.

- Industrial quality multi-function timer
- 12 or 24 VAC or VDC with 5 Amp DPDT relay output
- DIP switches select delay times of 1 to 255 seconds or minutes
- Seven operating modes:
 - 1) ON delay (timer is powered; relay energizes after delay and resets when the timer is unpowered)
 - 2) Triggered ON delay (same operation started from external switch)
 - 3) OFF delay (timer is triggered; relay energizes immediately and resets after delay)
 - 4) One shot (non-retriggerable OFF delay)
 - 5) Toggle (trigger closure energizes relay; next closure reset etc.)
 - 6) Cyclic (relay cycles on and off at time interval set)
 - 7) Pulse output (relay pulses for 1/4 second as external switch changes state)
- Triggering can be from an N/O or N/C switch
- Flashing LED drive output providing visual indication of remaining time



How to Order

Part #	Description
TM-2	Time Master II Multi-Function Timer

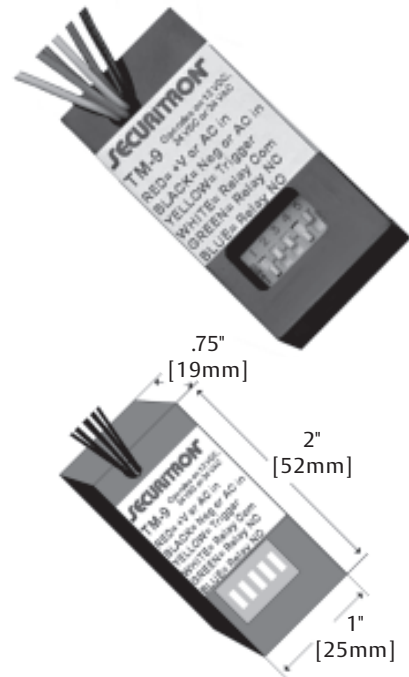


Timers (Cont.)

(TM-9) Time Mate Timer

Application - When used with a momentary keyswitch or push button, the TM-9 will unlock a door for the timer's pre-set time.

- Miniature timer extends momentary switches up to 36 seconds
- Commonly used in outlet boxes with keyswitches or push buttons
- Fits in the backbox or can be mounted separately with double stick tape
- 3 Amp SPDT relay energizes for 2 to 36 seconds
- Time setting is selected by DIP switches rather than by a pot
- Applications include releasing electric locks and shunting alarm contacts
- 12 or 24 VDC, or 24 VAC



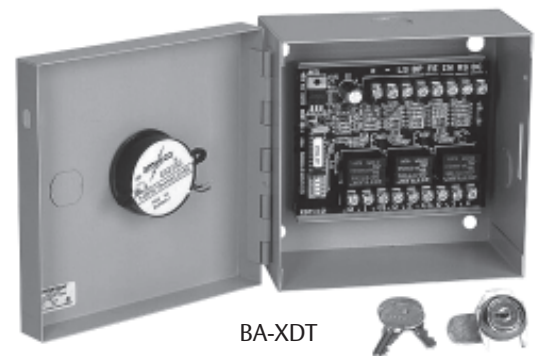
How to Order

Part #	Description
TM-9	Time Mate Timer

Electronics

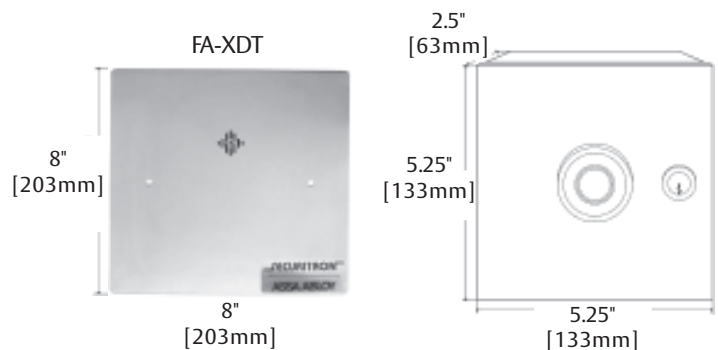
(XDT) Exit Delay Timers

- Meets all code requirements including the BOCA 30 second relock function
- Nuisance delay and release times are digitally set using precise DIP switches
- Supplied alone, or in an enclosure mounted with Piezo
- BA-XDT is a surface mount box
- FA-XDT is a flush mount plate
- (3) 5 Amp SPDT relays
- UL Listed



How to Order

Part #	Description
XDT-12	Exit Delay Timer 12VDC
XDT-24	Exit Delay Timer 24VDC
BA-XDT-12	Exit Delay Timer Surface Mount Box 12VDC
BA-XDT-24	Exit Delay Timer Surface Mount Box 24VDC
FA-XDT-12	Exit Delay Timer Flush Mount 12VDC
FA-XDT-24	Exit Delay Timer Flush Mount 24VDC



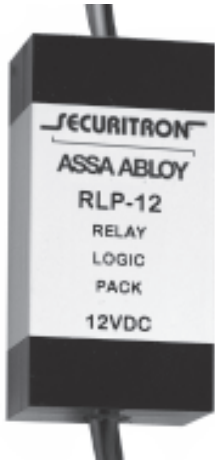
(FA-XDT Backbox 6" x 6" x 4"
[152mm x 152mm x 102mm])

Approvals and Listings

- XDT - Underwriter's Laboratories: File SA6635 Vol. 2 (UL 294 & NFPA 101)
- California State Fire Marshal: 3774-0923:102
- City of New York MEA: 251-95E & 254-95E



Electronics



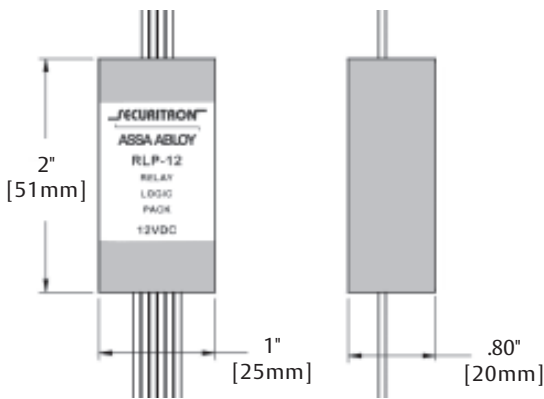
(RLP) Relay Logic Pack

Application - Can be used as a DPDT latching alarm relay or for two door interlocks (mantrap).

- Multi-function circuit pack
- Allows integration of lock status sensing outputs with access control systems requiring N/O or N/C dry status signals coupled with a delay before lock status changes state
- Creates a relay interlock circuit
- Creates an interlocked trap entry (when coupled with 2 electric locks)
- Can function as a DPDT relay with 1 Amp contacts
- Can provide time delay of door operator when electric lock is used

How to Order

Part #	Description
RLP-12	Relay Logic Pack 12VDC
RLP-24	Relay Logic Pack 24VDC



(PZ1) Piezo Sounder

Application - Used as a remote alarm sounder for exit delay or remote door prop.

- Remote annunciator
- Powerful Piezo sounder
- Stainless steel single gang plate

How to Order

Part #	Description
PZ1	Piezo Single Gang

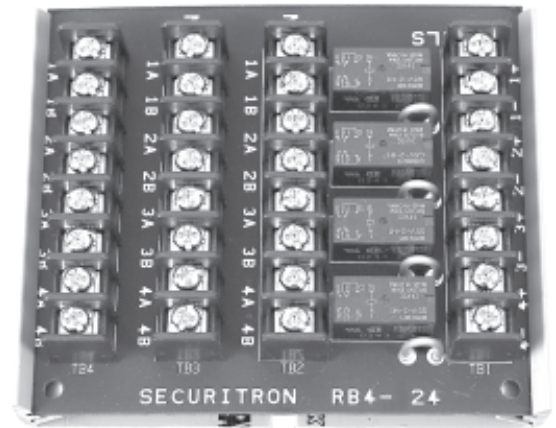


Electronics (Cont.)

(RB) Relay Board

Application - The RB4 board is used for interlock installations and where a basic relay board is needed.

- Add relays for uses including shunting, interlocking and reporting
- Individual coil connections - common negative or positive
- Replaces socket mount relays
- Mounts 4 DPDT relays with 2 Amp contacts
- All dry contact connections are brought out on screw terminals
- Relays have low current coils (13mA at 12VDC; 8mA at 24VDC)
- Allows operation from most LED drive outputs



RB-4

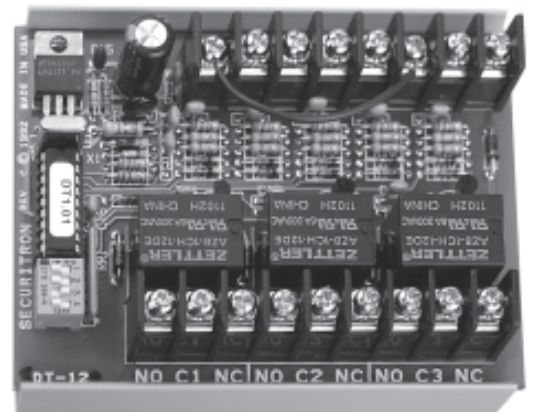
How to Order

Part#	Description
RB-4-12	Relay Board 12VDC
RB-4-24	Relay Board 24VDC

(DPA) Door Prop Alarm

Application - The DPA is designed to detect and deter a door from being left propped open.

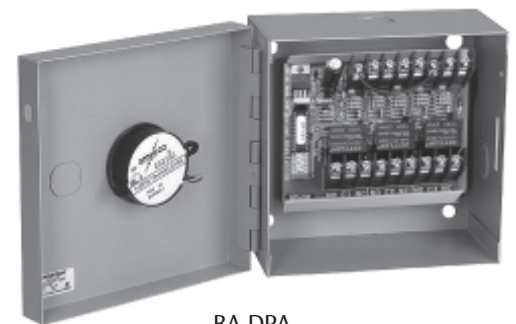
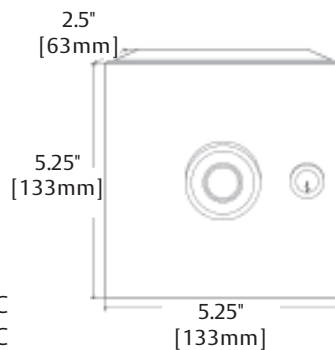
- Multi-functional control timer that operates as a door prop alarm
- Monitors whether the door has been "propped" open
- Can detect attempts to tamper with lock or door status
- Includes (3) 5 Amp SPDT outputs providing local and remote signaling
- Bypass mode for valid access/egress needs
- Duress alarm function when used with a N/O switch
- BA-DPA models come with Piezo sounder
- 12 or 24 VDC



DPA

How to Order

Part#	Description
DPA-12	Door Prop Alarm 12VDC
DPA-24	Door Prop Alarm 24VDC
BA-DPA-12	Door Prop Alarm, enclosed 12VDC
BA-DPA-24	Door Prop Alarm, enclosed 24VDC



BA-DPA



High Security Door Position Switches

(MSS) Maximum Security Switches

- Used to monitor the open/closed status of doors, windows, gates, machinery safety barriers or other moving assemblies
- Supplied in three versions for different environments:

Door with hollow frame = MSS-1 provides a jacketed cable

Other types of openings = MSS-1G includes a 3-foot [936mm] stainless steel cable

Standard ANSI 4-7/8" strike cutout = MSS-1C is a concealed unit

- False alarm reduction
- Versatile indoor-outdoor application
- Optional remote test feature



MSS-1



MSS-1C



MSS-1G

Specification Data

Main Output:

SPDT at max of 125mA @24V or 250mA @12V

Tamper Output:

Closed when secure; open to alarm - 1 Amp max current

Operating Temperature:

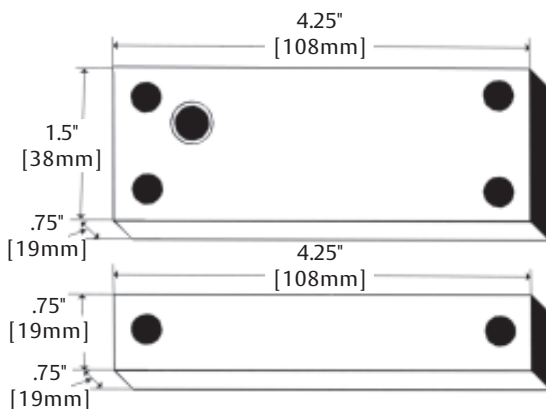
-40 to +150F [-40 to +65C]

Shipping Weight: 1.5 lbs.

Warranty: MagnaCare Lifetime Replacement Warranty

How to Order

Part #	Description
MSS-1	High Security Switch, Surface Mount
MSS-1-RT	High Security Switch, Surface Mount, Remote Test
MSS-1C	High Security Switch, Concealed
MSS-1C-RT	High Security Switch, Concealed, Remote Test
MSS-1G	High Security Switch, Surface Mount, Conduit
MSS-1G-RT	High Security Switch, Surface Mount, Conduit, Remote Test



Patents, Approvals and Listings

- Patent Number: #5,668,533
- MSS - Underwriter's Laboratories: File BP6799 (UL 634)





(DPS) Door Position Switches

(DPS-W, DPS-M, J-1055) Door Position Switches

Application - Used to monitor the status of a door or to provide an initiate signal to Securitron's model XDT delayed exit logic timers.

DPS-W Concealed Door Position Switch for Wood Doors

Both components require drilling a 3/4" (19mm) diameter hole in the door and frame directly opposite one another. The DPS-W style is a Normally Closed switch (SPST). The distance depends on the door type and gap between the door and frame but is in the 1/2"-3/4" range (12-18mm). Includes a magnetic switch and a cylindrical permanent magnet.

DPS-M Concealed Door Position Switch for Metal doors

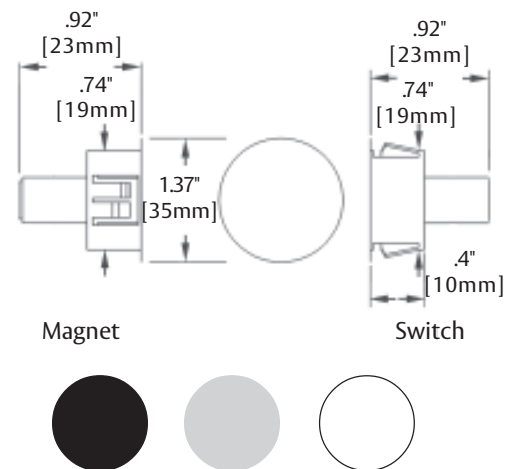
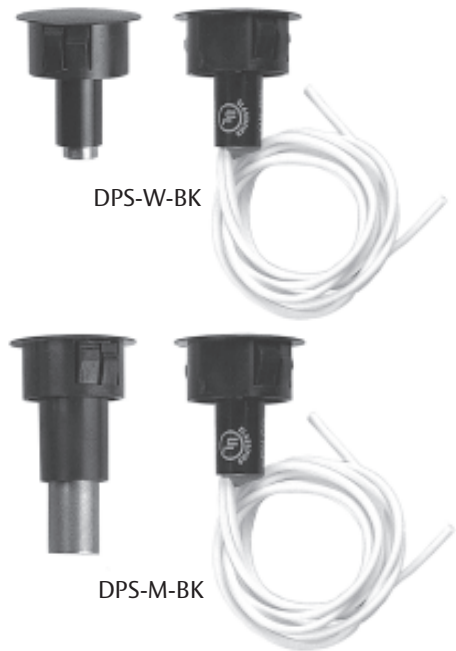
Both components require drilling a 3/4" (19mm) diameter hole in the door and frame directly opposite one another. The large magnet is needed to overcome the shielding effect of a steel door. The DPS-M style is a Normally Closed switch (SPST). The distance depends on the door type and gap between the door and frame but is in the 1/2"-3/4" range (12-18mm). Includes a magnetic switch and a cylindrical permanent magnet.

Specification Data

Operating Temperatures: -40 to +150F [-40 to +65C]
Switching Current AC/DC (max): 0.4A
Warranty: MagnaCare Lifetime Replacement Warranty

How to Order

Part #	Description
DPS-W-BK	Door Position Switch - Wood Door, Black
DPS-W-GR	Door Position Switch - Wood Door, Gray
DPS-W-WH	Door Position Switch - Wood Door, White
DPS-M-BK	Door Position Switch - Metal Door, Black
DPS-M-GR	Door Position Switch - Metal Door, Gray
DPS-M-WH	Door Position Switch - Metal Door, White



J-1055-04F Concealed Door Position Switch for Wood doors

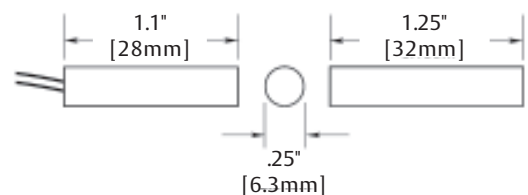
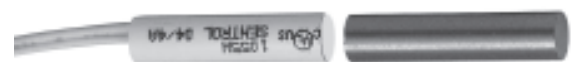
This is an economical and versatile door contact that fits into the smaller spaces. The J-1055-04F should be used on wood doors as the proximity of ferrous materials usually reduces sensing range – typically by 50%. Both components require drilling 1/4" diameter hole in the door and frame directly opposite one another. The J-1055-04F is a Normally Closed switch (SPST) but has a hard wire that can be soldered to obtain a Normally Open contact (SPDT).

Specification Data

Operating Temperatures: -40 to +150F [-40 to +65C]
Switching Current AC/DC (max): 0.5A
Warranty: MagnaCare Lifetime Replacement Warranty

How to Order

Part #	Description
J-1055-4F	Door Position Switch - Wood Door





(LM) Latch Monitors

(LML, LMS) Latch Monitors

Application - The LM Series is designed for reporting back to an alarm system to indicate that a door is latched, thereby reducing the possibility of false alarms.

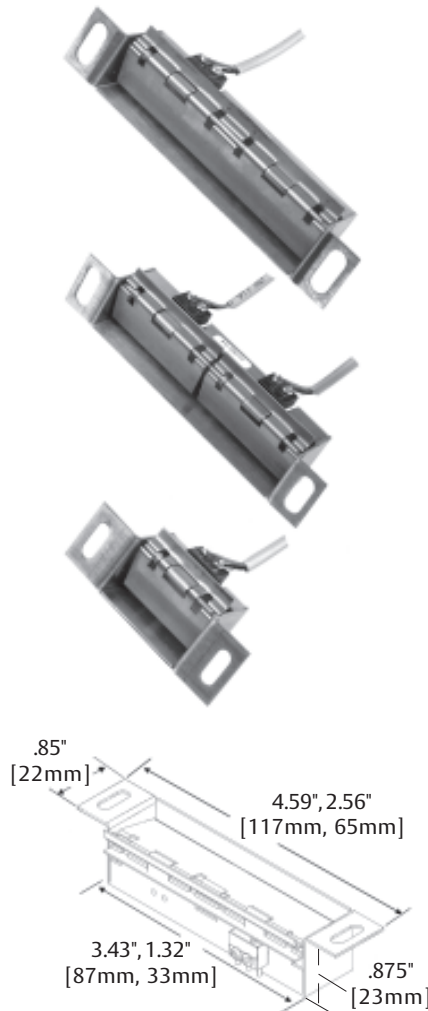
- Electronically verify mechanical latch and bolt positions
- Detect and report that a door is actually latched or bolted, not just closed
- Installs easily concealed behind existing hardware
- Require no jamb or strike plate modification
- LMS-1 includes a single SPDT switch and fits any standard 2-3/4" ANSI cut out
- LML-1 also has a single SPDT switch and fits any standard 4-7/8" ANSI cut out
- LML-2 monitors a mortise latch and deadbolt separately, has two separate SPDT switches, and fits any standard 4-7/8" ANSI cut out
- UL Listed

Specification Data

Contact Rating:
SPDT 2 Amp @ 24V
Operating Temperatures:
-40 to +160F [-40 to +71C]
Warranty: MagnaCare Lifetime Replacement Warranty

How to Order

Part #	Description
LML-1	Latch Monitor ANSI 4-7/8"
LML-2	Latch Monitor ANSI 4-7/8" w/Deadbolt
LMS-1	Latch Monitor ANSI 2-3/4"



(LMD) Bolt Monitor

- Can be used with an Adams Rite MS type deadlock
- Reports the locked or unlocked status of narrow stile aluminum frame doors, including sliding glass doors
- Installs quickly without routing

Specification Data

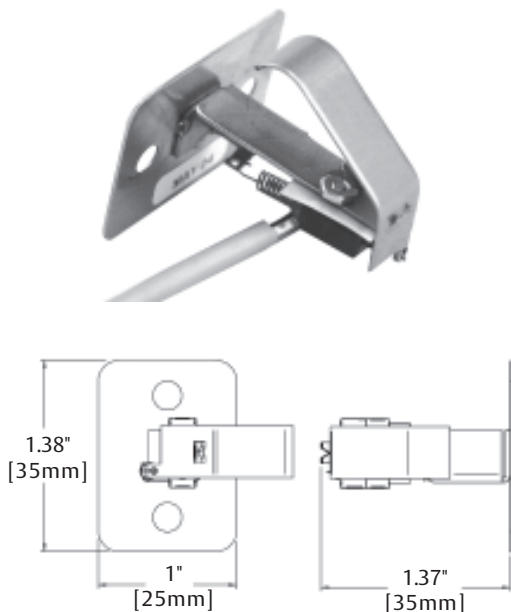
Contact Rating: SPDT 2 Amp @ 24V
Operating Temperatures: -40 to 160F [-40 to 71C]
Warranty: MagnaCare Lifetime Replacement Warranty

How to Order

Part #	Description
LMD-1	Latch Monitor for Aluminum Door Deadlock

Patents, Approvals and Listings

- Patent Numbers: #5,757,269, #5,825,288
- LM - Underwriter's Laboratories: File SA6635 Vol. 2 & BP6799 (UL 294, NFPA 101 & UL634)
- California State Fire Marshal: 3774-0923:102





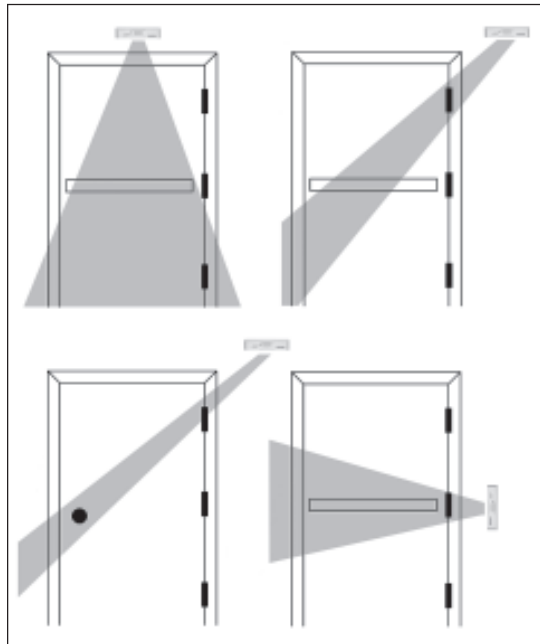
(XMS) Exit Motion Sensor



Application - The XMS Passive Infrared Request to Exit Device is a motion detector specifically designed to reliably release magnetic locks. A person approaching the door is “seen” by the motion detector just before reaching the door.

Features and Benefits

- Passive Infrared Request to Exit Device
- Designed to reliably release magnetic locks
- Automatically cuts power to the lock, allowing the individual to exit without even realizing that the door is secured
- UL Listed



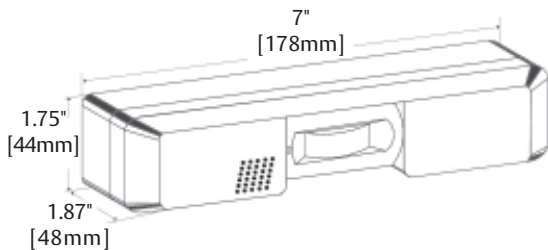
Specification Data

Input voltage: 12 or 24 VDC
 Power draw: 20-50mA, depending on switching status
 Environment: Indoor use only
 Shipping Weight: .5 lbs.
 Warranty: MagnaCare Lifetime Replacement Warranty

How to Order

Part #	Description
XMS	Exit Motion Sensor

SAFETY
NOTICE



Securatron recommends that an emergency exit button be used in conjunction with the XMS to meet applicable building codes and specific life safety issues. See Emergency Exit Buttons on page 42.



EEB3N



EEB2



Approvals and Listings

- XMS - Underwriter's Laboratories: File BP7041 (UL 294)



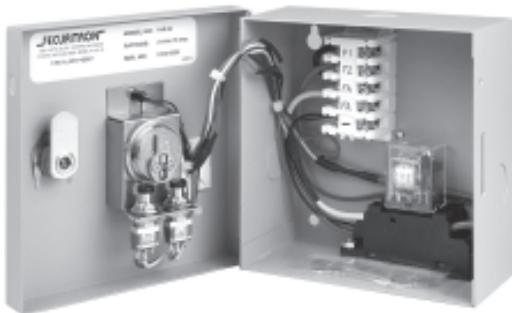
(FAR) Fire Alarm Reset



Application - The FAR module is designed to work in conjunction with the Securitron BPS and BPSM series power supplies and a fire alarm panel (by others). Whenever the FAR receives a signal from the fire alarm it will switch off the output of the BPS/BPSM power supply. The power supply will stay in this mode until a manual reset is instituted by turning the keyswitch mounted in the face of the FAR module. This feature is required in certain jurisdictions to prevent the security system from automatically (when the fire alarm is reset) relocking doors during an evacuation.

Features and Benefits

- Fire Alarm releases all locks and down-powers all devices connected to power supply until FAR is manually reset
- Allows key-switch manual release of all locks and down-powers all devices manually during tests and other emergency (non-fire) evacuations
- Simple bi-color LED status indicator on front cover. Green = ON, Red = OFF
- Easy to mount metal enclosure equipped with security cam lock
- Available in either 12VDC or 24VDC versions to match Securitron BPS/BPSM series power supplies
- CFAR version available to meet Canadian fire release requirements
- 5 Amp rated SPDT plunger switches

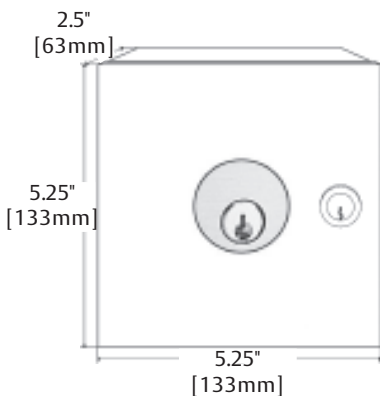


Specification Data

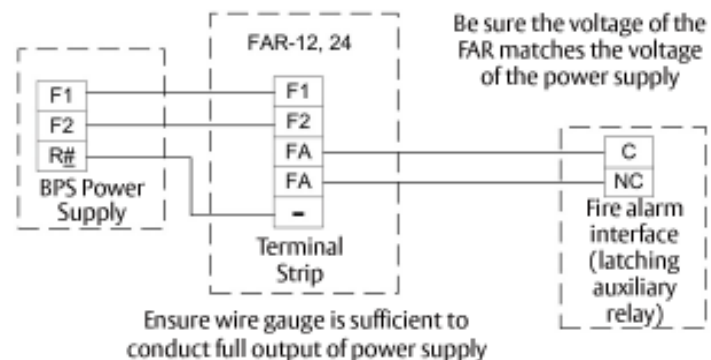
Input Voltage: 12 or 24 VDC
Environment: Indoor use only
Shipping Weight: 3 lbs.

How to Order

Part #	Description
FAR-12	Fire Alarm Reset 12 VDC
FAR-24	Fire Alarm Reset 24 VDC



Interwiring between Fire Alarm, Power Supply and FAR





(LCP) Lock Control Panels

Application - The LCP Series panel is designed to operate any DC electric lock or strike that operates on 12 or 24 VDC (fail safe or fail secure). Other electric locks can be accommodated by adding relays.

Each LCP Series panel is constructed of control zones supplied in multiples of four. A single multi-color monitoring LED per zone displays four possible conditions of the lock: Green shows that the zone is secure, and this may be driven from a door switch, lock status switch or the power status of the lock. "Off" shows that the lock has been "legally" released from either the panel control switch or from a remote switch at the door. In this condition, the toggle switch itself illuminates yellow. Red is the alarm condition showing that a lock which should be secure is not reporting secure. This condition is latching and is reset from a momentary switch once the zone has been resecured. A Sonalert accompanies the red "violation" condition. Orange shows that the zone has been resecured and is ready for alarm reset. After reset, the indicator turns green again.

Specification Data

Current Draw: Depends on version: 60mA maximum per zone
Switching Capability: Lock current is maximum 1.5 Amps with 3 Amp inrush acceptable
Power: Panel available for 12 or 24 VDC operation - unregulated voltage is acceptable
Shipping Weight: Varies by model and options selected
UL Listed

Dimensions (H x W x D)

Desktop Console:
4-8 zones: 5" x 11-3/4" x 13-3/4"
[127mm x 299mm x 349mm]
12-24 zones: 5" x 16-3/4" x 13-3/4"
[127mm x 425mm x 349mm]

Wall Mount:
4 zones: 10" x 10" x 4"
[254mm x 254mm x 102mm]
8-16 zones: 12" x 12" x 4"
[305mm x 305mm x 102mm]
20-24 zones: 16" x 12" x 6"
[406mm x 305mm x 152mm]

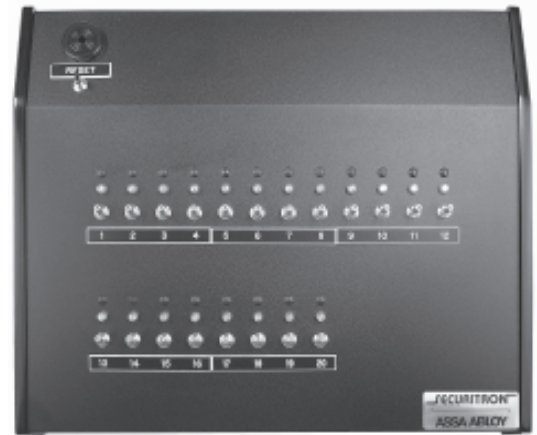


Rack Mount: (H x W)
4-12 zones: 5-1/4" x 19" (3U)
[133mm x 483mm]
16-24 zones: 10-1/2" x 19" (6U)
[267mm x 483mm]

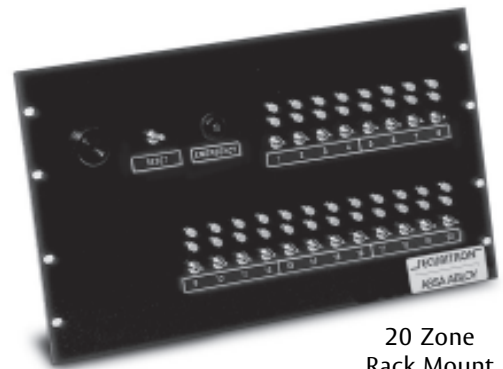
Flush Mount: (Cutout)
4 zones: 10" x 8" x 4"
[254mm x 203mm x 102mm]
8-16 zones: 12" x 12" x 4"
[305mm x 305mm x 102mm]
20-24 zones: 18" x 12" x 4"
[457mm x 305mm x 102mm]

Approvals and Listings

- LCP - Underwriter's Laboratories: File SA6635 Vol. 2 & BP7041 (UL 294, NFPA 101)
- California State Fire Marshal: 3774-0923:102, :103
- City of New York MEA: 251-95E & 254-95E



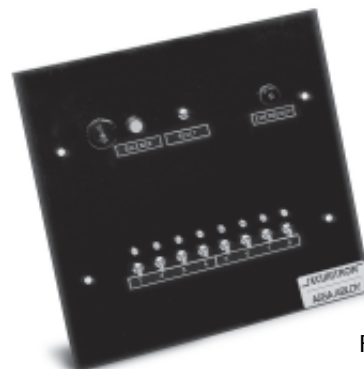
20 Zone Desktop Console



20 Zone Rack Mount



4 Zone NEMA-1 Wall Mount



8 Zone Flush Mount



(LCP) Lock Control Panels

How to Order

Each LCP is made to customer specification. Please contact factory for exact quotation.

<u>Part #</u>		<u>Mounting</u>
LCP	Lock Control Panel	D Desktop Console
		W NEMA-1 locked wall cabinet
		R Rack panel (face mount)
		F Flush mount plate with backbox

Zone Requirements

4 to 24 zones per panel

Voltage

12 or 24 VDC

Upgrade Options

See below

LCP Upgrade Options

SLR - Silence latch with recurrent reminder signal

This option adds a momentary illuminated button which is used to silence the Piezo only after it has sounded. When the Sonalert has been silenced the button illuminates and a built-in reminder tone is emitted. Once the alarm condition is cleared, the silence function automatically resets so that Piezo will sound again for the next alarm event.

ER - Emergency all release (fail safe locks only)

This option adds an alternate action illuminated button which, when pressed, illuminates and immediately releases all locks. Pressing the button again restores power to the locks. This option is used only with fail safe locks.

AM - Additional set of monitoring lights (per four zones)

This option adds a second LED (yellow) to each control zone. The LED illuminates from an external closure or voltage input and at the same time, a pulsing Piezo sounds. The most common use for this option is to annunciate the start of exit delay for a fail safe lock in the NFPA 101 delayed exit installation. Other conditions, depending on the specific job, can also use this capability.

KB1 or KB2 - Key switch control bypass

The bypass keyswitch, when turned off, secures all zones and shunts out the control switches and emergency release button (if one has been supplied) so that the panel may be left unattended for a time. This option yields a mortise cylinder type keyswitch with cylinder supplied. The suffix "1" is wired for fail safe locks. The suffix "2" is wired for fail secure locks.

MOM - Momentary Control Switches (alternate is standard)

This option changes the lock control toggle switches from alternate (standard) to spring loaded momentary. It is used if the installation permits only momentary release of a lock from the panel.
(Momentary switches are not illuminated)

HT - Heavy duty push button switches (per four zones)

The standard toggle switches are limited in life to about 30,000 operations. This is more than adequate for most installations where the panel switches are used sporadically but for high volume use, we suggest push button switches, with a life of about 200,000 operations.

Each LCP is custom made to client specifications. Please contact factory for exact quotation.



(ZAP) Zone Annunciation Panels

Application - The ZAP Series panel is designed to monitor any normally closed (dry) contact or door position switch (DPS) with a simple visual/audio indication. One illuminated red LED represents each contact (zone). When the zone is violated, the red LED extinguishes and the built-in Piezo sounder is activated. NOTE: This function is non-latching. As soon as the contact resets, the red LED will re-illuminate and the sounder will go silent.

Each ZAP panel is constructed to monitor four to twenty-four zones in four zone increments. Each panel is ideally suited to monitor multiple exit doors (using Securitron's XDTs or iMXDs) or other doors/gates/devices beyond the visual or audible range of staff. Simple operation - no buttons or switches to push. Typically located at a nurse's station or central security station where an immediate indication of a zone violation needs to be annunciated.

Specification Data

Current Draw: Depends on version: 40mA maximum per zone
Power: Panel available for 12 or 24 VDC operation - unregulated voltage is acceptable
Shipping Weight: Varies by model and options selected

Dimensions (H x W x D)

Desktop Console:	Flush Mount: (Cutout)
4-8 zones: 5" x 11-3/4" x 13-3/4"	4 zones: 10" x 8" x 4"
[127mm x 299mm x 349mm]	[254mm x 203mm x 102mm]
12-24 zones: 5" x 16-3/4" x 13-3/4"	8-16 zones: 12" x 12" x 4"
[127mm x 425mm x 349mm]	[305mm x 305mm x 102mm]
	20-24 zones: 18" x 12" x 4"
	[457mm x 305mm x 102mm]



4 Zone Desktop Console



8 Zone Flush Mount

How to Order

Part #	Description	Part #	Description
ZAP-4-12D	Four Zone Desktop Annunciator Panel, 12VDC	ZAP-16-12D	Sixteen Zone Desktop Annunciator Panel, 12VDC
ZAP-4-24D	Four Zone Desktop Annunciator Panel, 24VDC	ZAP-16-24D	Sixteen Zone Desktop Annunciator Panel, 24VDC
ZAP-4-12F	Four Zone Flush Mount Annunciator Panel, 12VDC	ZAP-16-12F	Sixteen Zone Flush Mount Annunciator Panel, 12VDC
ZAP-4-24F	Four Zone Flush Mount Annunciator Panel, 24VDC	ZAP-16-24F	Sixteen Zone Flush Mount Annunciator Panel, 24VDC
ZAP-8-12D	Eight Zone Desktop Annunciator Panel, 12VDC	ZAP-20-12D	Twenty Zone Desktop Annunciator Panel, 12VDC
ZAP-8-24D	Eight Zone Desktop Annunciator Panel, 24VDC	ZAP-20-24D	Twenty Zone Desktop Annunciator Panel, 24VDC
ZAP-8-12F	Eight Zone Flush Mount Annunciator Panel, 12VDC	ZAP-20-12F	Twenty Zone Flush Mount Annunciator Panel, 12VDC
ZAP-8-24F	Eight Zone Flush Mount Annunciator Panel, 24VDC	ZAP-20-24F	Twenty Zone Flush Mount Annunciator Panel, 24VDC
ZAP-12-12D	Twelve Zone Desktop Annunciator Panel, 12VDC	ZAP-24-12D	Twenty-four Zone Desktop Annunciator Panel, 12VDC
ZAP-12-24D	Twelve Zone Desktop Annunciator Panel, 24VDC	ZAP-24-24D	Twenty-four Zone Desktop Annunciator Panel, 24VDC
ZAP-12-12F	Twelve Zone Flush Mount Annunciator Panel, 12VDC	ZAP-24-12F	Twenty-four Zone Flush Mount Annunciator Panel, 12VDC
ZAP-12-24F	Twelve Zone Flush Mount Annunciator Panel, 24VDC	ZAP-24-24F	Twenty-four Zone Flush Mount Annunciator Panel, 24VDC

Each ZAP Panel is custom made to client specifications.