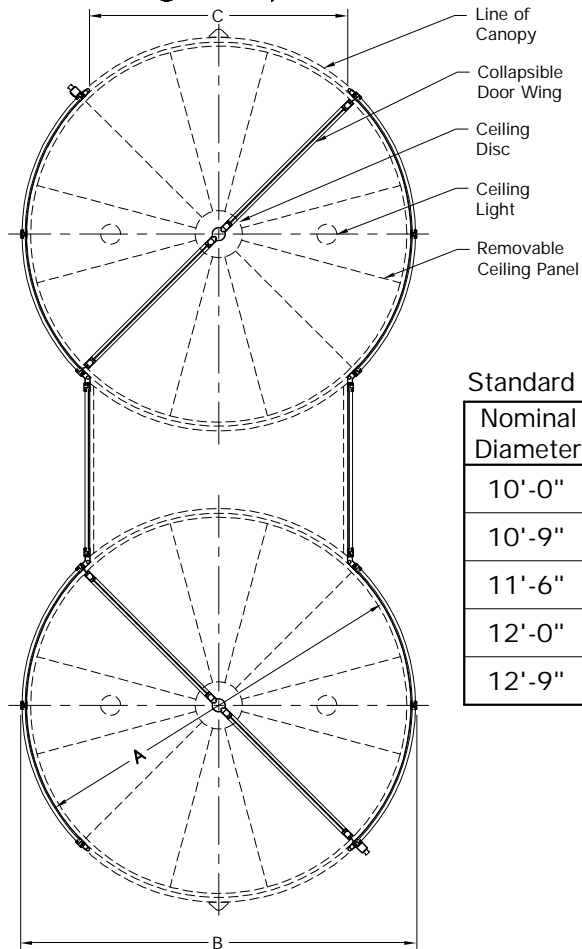


① Elevation |


 Exterior
 ② Plan View |

Options:

- Extended Door Heights (Contact Factory)
- Extended Canopy Heights (Contact Factory)
- Electric Locking with Post Mounted Control

Installation:

Door Installs on Finish Floor (No recess, rings, or cutouts required)

Floor Must Be Dead Level.

Power Supply from Above.

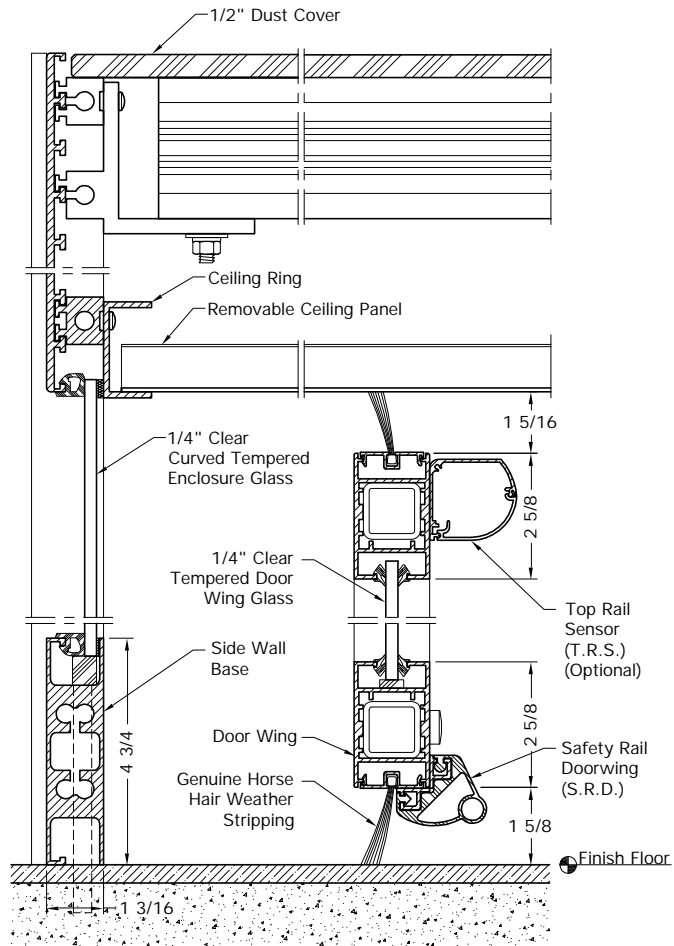
Door is Free-standing (No Vertical Structural Support is Required).

Door Ties to Adjacent Storefront or Curtain-wall System for Lateral Stability.

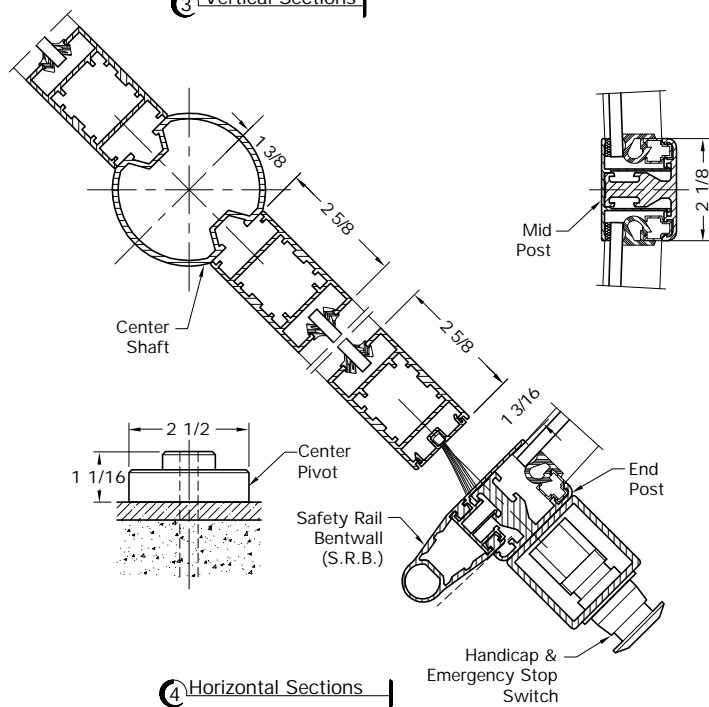
Adjacent Construction Not to Bear Down on any Part of Revolving Door.

Standard Door Sizes

Nominal Diameter	Inside Diameter "A"	Outside Netframe "B"	Throat Opening "C"
10'-0"	9'-10 1/8" [3000MM]	10'-1 1/8"	6'-8 1/8"
10'-9"	10'-6" [3200MM]	10'-9"	7'-1 5/8"
11'-6"	11'-1 7/8" [3400MM]	11'-4 7/8"	7'-7 1/8"
12'-0"	11'-9 11/16" [3600MM]	12'-0 3/4"	8'-0 5/8"
12'-9"	12'-5 5/8" [3800MM]	12'-8 5/8"	8'-6 3/16"



3 Vertical Sections



4 Horizontal Sections