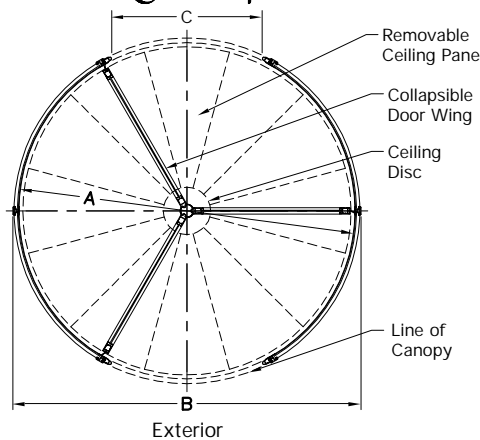
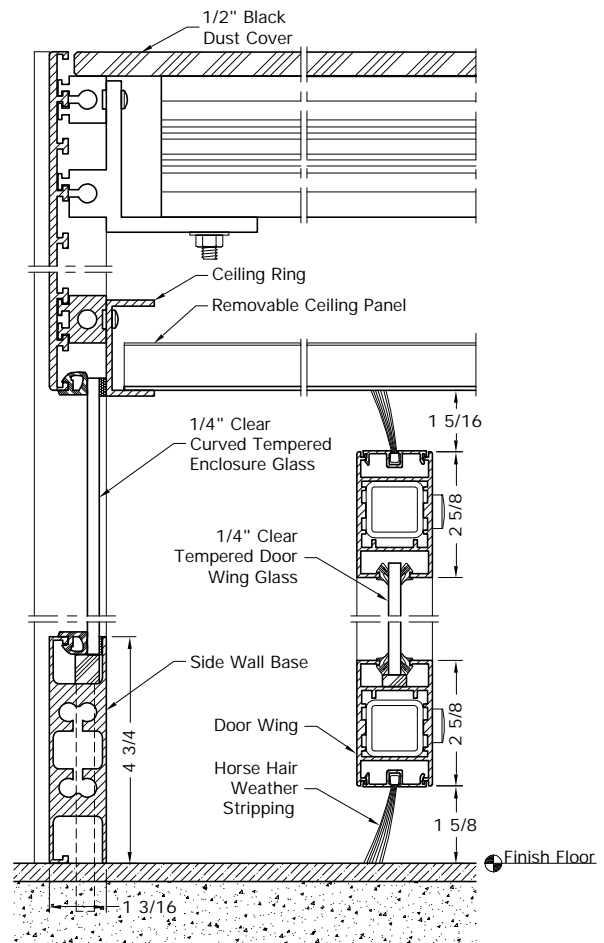


1 Elevation



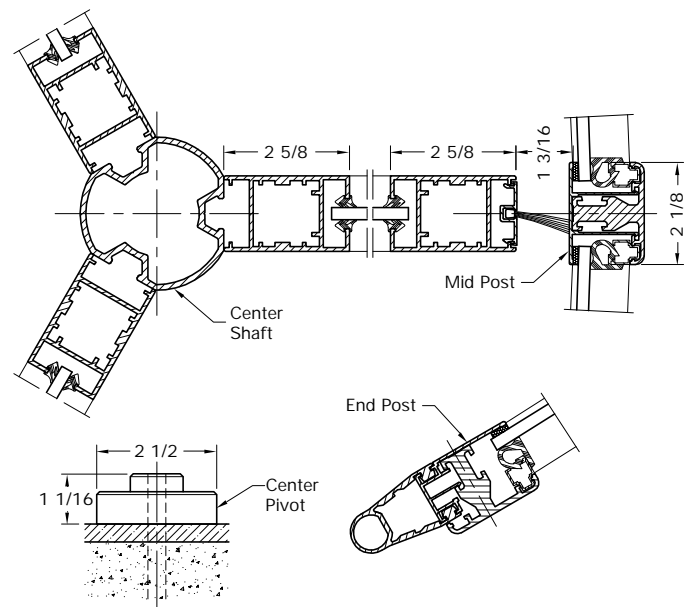
2 Plan View



3 Vertical Sections

Standard Size Doors

Inside Diameter "A"	Outside Net Frame "B"	Throat Opening "C"
7'-0"	7'-3"	3'-1 5/8"
8'-0"	8'-3"	3'-7 5/8"



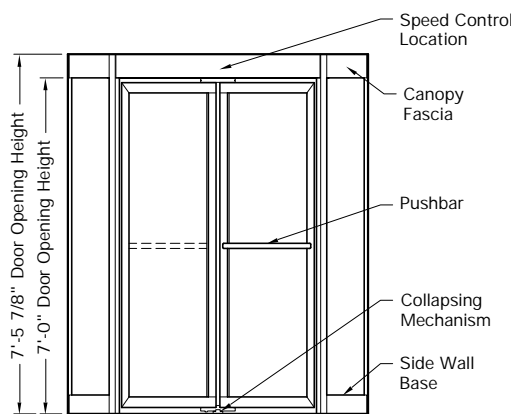
4 Horizontal Sections

Options:

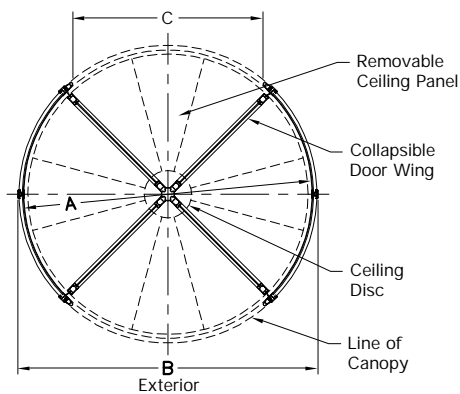
- Ceiling Lights (120 V Power from Above)
- Extended Door Heights (Contact Factory)
- Extended Canopy Heights (Contact Factory)
- Slidebolt lock
- 2 Point Espagnolet Lock (Profile Style Cylinders Only)
- Electric Locking with Post Mounted Control

Installation:

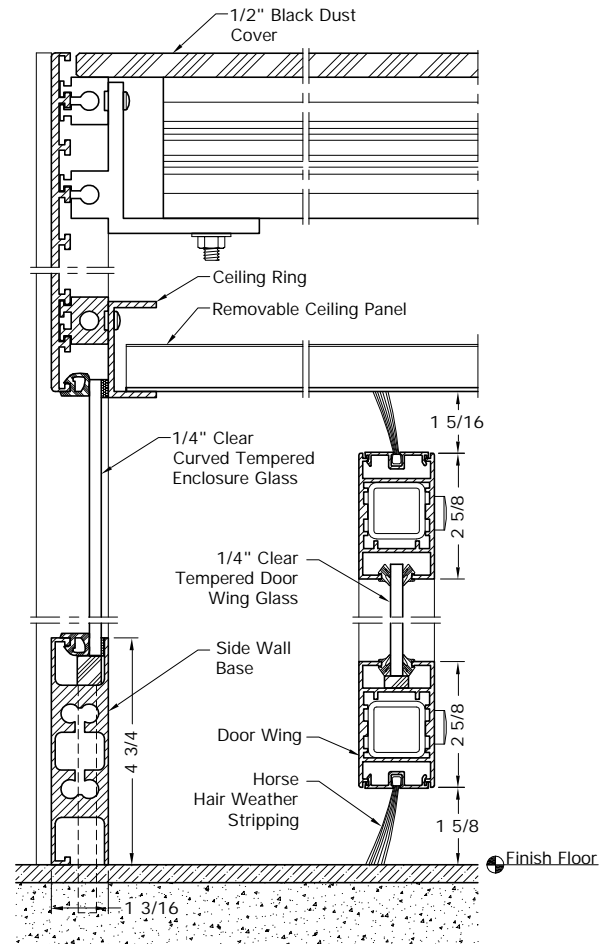
Door Installs on Finish Floor (No recess, rings, or cutouts required)  
Floor Must Be Dead Level.  
Door is Free-standing (No Vertical Structural Support is Required).  
Door Ties to Adjacent Storefront or Curtain-Wall System for Lateral Stability.  
Adjacent Construction Not to Bear Down on any Part of Revolving Door.



1 Elevation



2 Plan View



3 Vertical Sections

### Standard Door Sizes

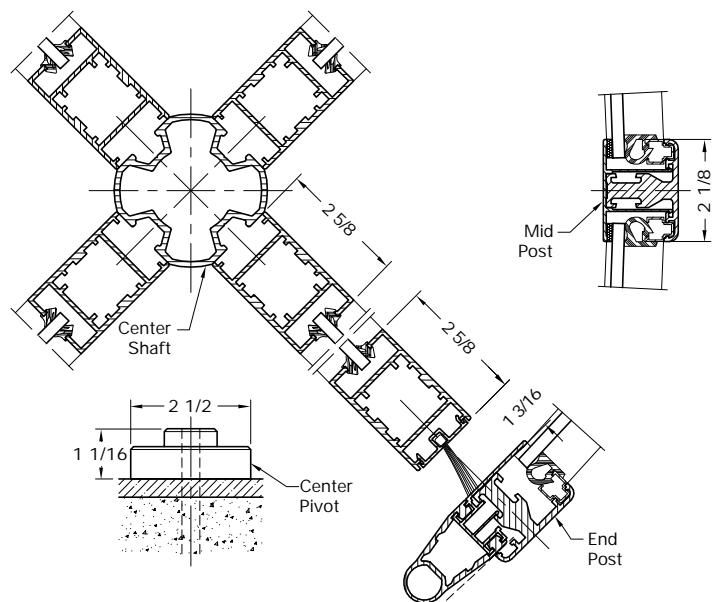
Inside Diameter "A"	Outside Net Frame "B"	Throat Opening "C"
6'-6"	6'-9"	4'-3 3/4"
7'-0"	7'-3"	4'-8"
8'-0"	8'-3"	5'-4 1/2"

### Options:

- Ceiling Lights (120 V Power from Above)
- Extended Door Heights (Contact Factory)
- Extended Canopy Heights (Contact Factory)
- Slidebolt Lock
- 2 Point Espagnolet Lock (Profile Style Cylinder Only)
- Electric Locking with Post Mounted Control

### Installation:

Door Installs on Finish Floor (No recess, rings, or cutouts required)  
 Floor Must be dead level.  
 Door is Free-standing (No Vertical Structural Support is Required).  
 Door Ties to Adjacent Storefront or Curtain-wall System for Lateral Stability.  
 Adjacent Construction Not to Bear Down on any Part of Revolving Door.



4 Horizontal Sections