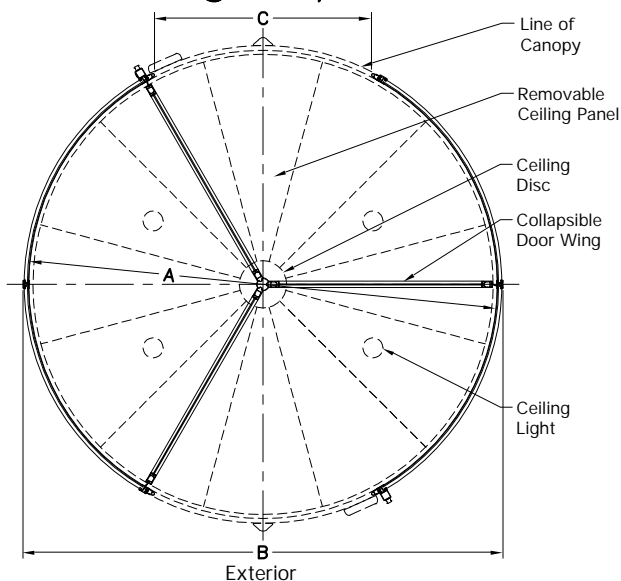
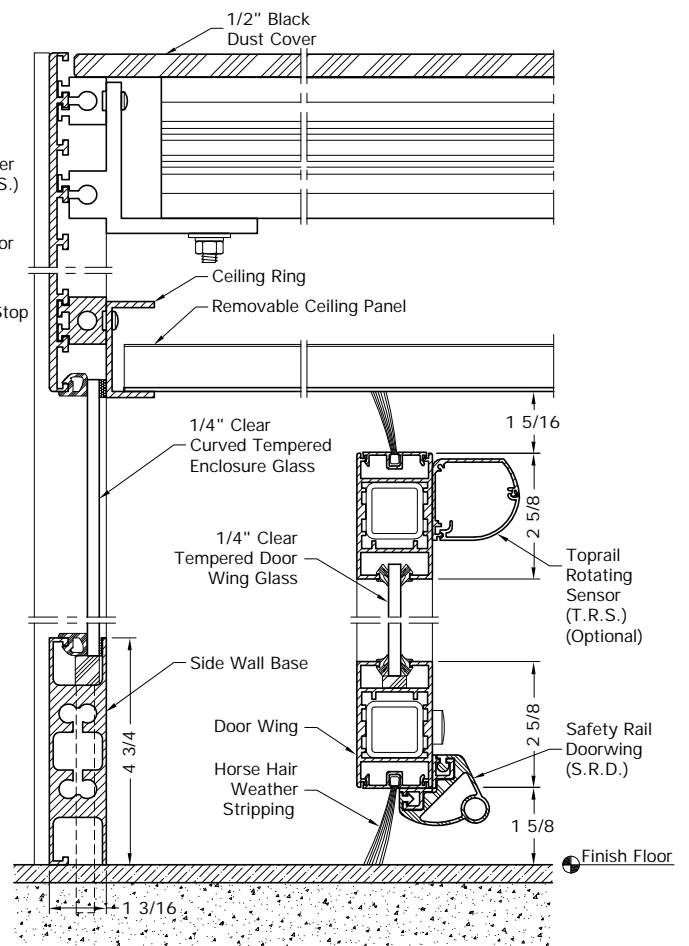


1 Elevation



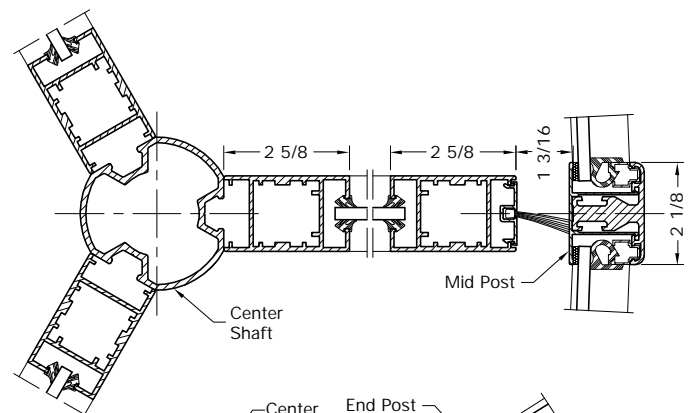
2 Plan View



3 Vertical Sections

Standard Door Sizes

Inside Diameter "A"	Outside Net Frame "B"	Throat Opening "C"
8'-0"	8'-3"	3'-7 5/8"
9'-9"	10'-0"	4'-6 3/16"
11'-9"	12'-0"	5'-6 1/8"

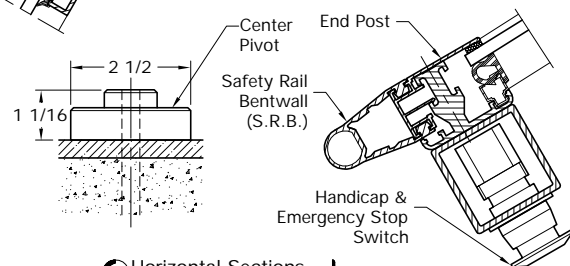


Options:

- Extended Door Heights (Contact Factory)
- Extended Canopy Heights (Contact Factory)
- 2 Point Espagnolet Lock

Installation:

Door Installs on Finish Floor (No recess, rings, or cutouts required).
 Floor Must Be Dead Level.
 Power Supply from Above.
 Door is Free-standing (No Vertical Structural Support is Required).
 Door Ties to Adjacent Storefront or Curtain-Wall System for Lateral Stability.
 Adjacent Construction Not to Bear Down on Any Part of Revolving Door.



4 Horizontal Sections

