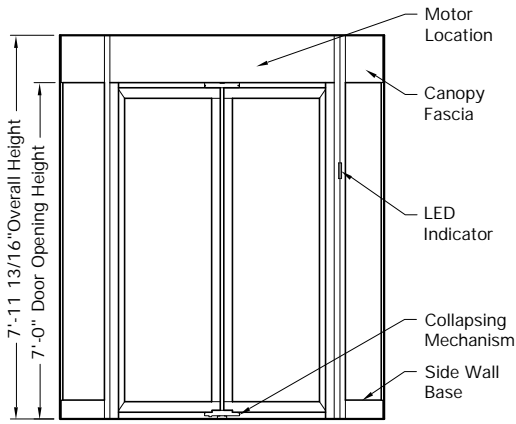




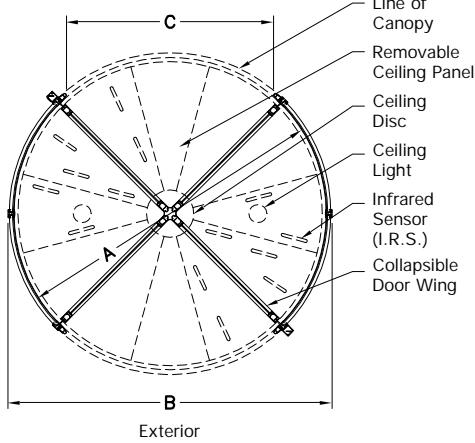
The first name in entrance technology

Tourlock 180+ 90 Security Revolving Door Reference Drawings

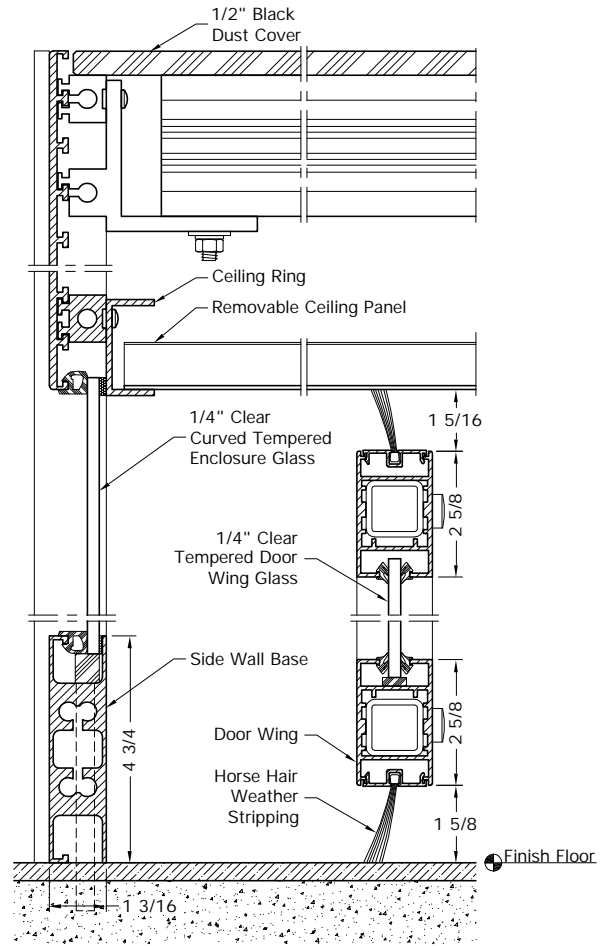
4050 South 500 West Salt Lake City, UT 84123 Tel: (801) 261-8980 Fax: (801) 261-1612 <http://www.boonedam.com>



① Elevation



② Plan View



③ Vertical Sections

Standard Door Sizes

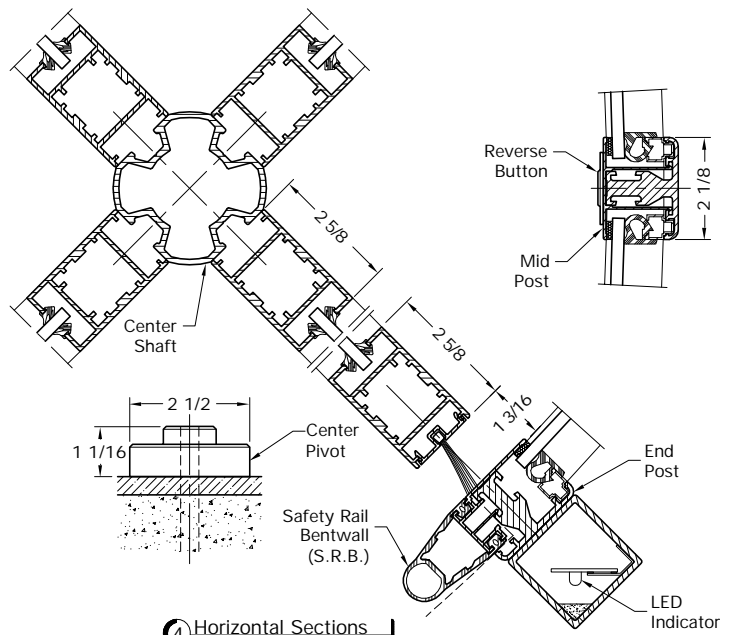
Inside Diameter "A"	Outside Netframe "B"	Throat Opening "C"
6'-6"	6'-9"	4'-3 3/4"
7'-0"	7'-3"	4'-8"

Options:

- Extended Canopy Heights (Contact Factory)

Installation:

Door Installs on Finish Floor (No recess, rings, or cutouts required).
 Floor Must Be Dead Level.
 Power Supply from Above.
 Door is Free-standing (No Vertical Structural Support is Required).
 Door Ties to Adjacent Storefront or Curtain-Wall System for Lateral Stability.
 Adjacent Construction Not to Bear Down on Any Part of Revolving Door.



④ Horizontal Sections