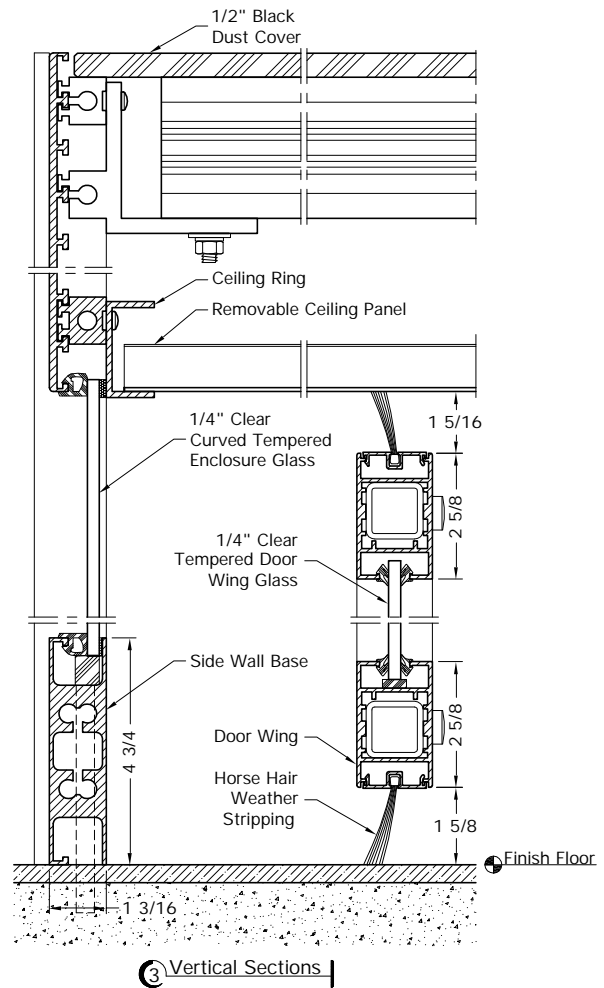
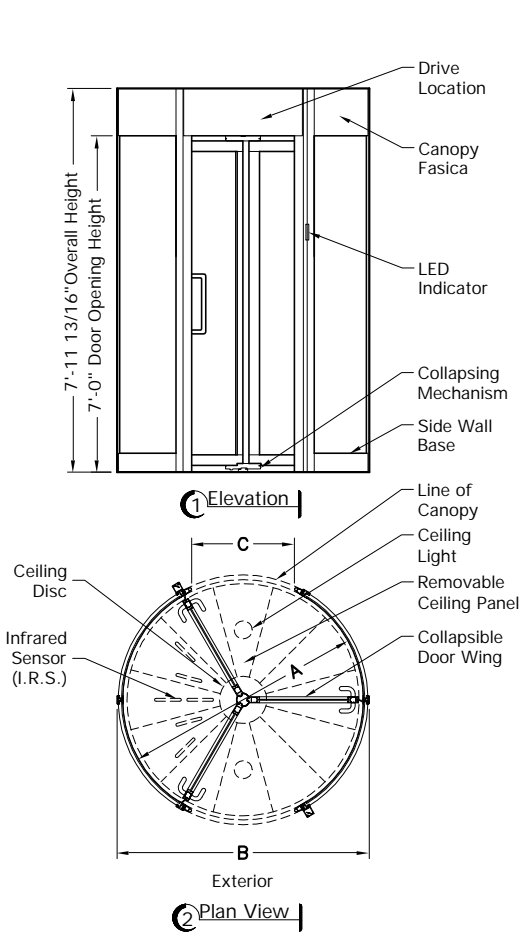




The first name in entrance technology

Tourlock 120 Manual Security Revolving Door Reference Drawings

4050 South 500 West Salt Lake City, UT 84123 Tel: (801) 261-8980 Fax: (801) 261-1612 http://www.boonedam.com



Standard Door Sizes

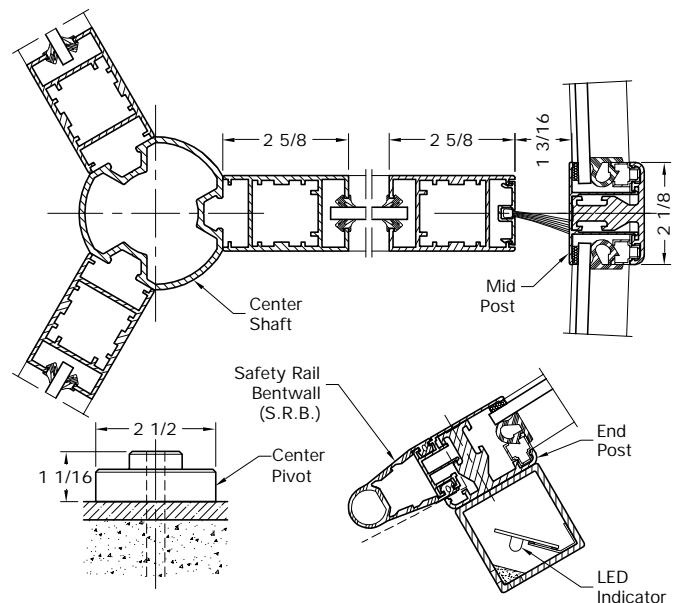
Inside Diameter "A"	Outside Netframe "B"	Throat Opening "C"
5'-0"	5'-3"	2'-1 5/8"
5'-6"	5'-9"	2'-4 11/16"

Options:

- Extended Canopy Heights (Contact Factory)

Installation:

Door Installs on Finish Floor (No recess, rings, or cutouts required).
 Floor Must Be Dead Level.
 Power Supply from Above.
 Door is Free-standing (No Vertical Structural Support is Required).
 Door Ties to Adjacent Storefront or Curtain-Wall System for Lateral Stability.
 Adjacent Construction Not to Bear Down on Any Part of Revolving Door.



Horizontal Sections

