

DOR-O-MATIC®

Mechanical Door Closers



COMMON APPLICATIONS

	Series	Duty	Applications
	SC70 Series	Heavy	Commercial / Exterior Door Commercial / Interior Door Aluminum Store Front
	SC80 Series	Medium	Commercial / Exterior Door Commercial / Interior Door Aluminum Store Front
	SC60 Series	Light-Medium	Commercial / Exterior Door Commercial / Interior Door Aluminum Store Front
	SC90 Series	Light	Commercial / Interior Door Aluminum Store Front
	SC R85 Series	Residential-Light	Commercial / Interior Door Residential
	OHC100A Series	Medium	Aluminum Store Front Retail

HOW TO ORDER

	Cylinder	Size	Finish	Arm Type	Accessories
SC70 Series	STD	1-6	Aluminum	Rw/PA	Plate, SC70-18TJ
	DEL		Dark Bronze Brass	Hw/PA HD DS HO/DS SS SS/HO	Plate PA, SC70-18PA Offset PA Shoe, SC70-62A

	Cylinder	Size	Cover	Finish	Arm Type	Accessories
SC80 Series	STD	1-4 (SC81)	Full	Aluminum	Rw/PA	Plate, SC80-18TJ
	DEL	2-5 (SC80)	Slim	Dark Bronze Brass	Hw/PA HD DS HO/DS SS SS/HO	Plate, SC90-18PA Offset PA Shoe, SC80-62A

	Cylinder	Size	Cover	Finish	Arm Type	Accessories
SC60 Series	STD	1-4 (SC61)	Slim*	Aluminum	Rw/PA	Plate, SC60-18TJ
	DEL*	2-5 (SC60)	Less	Dark Bronze	Hw/PA*	Plate, SC60-18PA
		4 (SC64)		Brass*	HD*	Offset PA Shoe, SC60-62A
		5 (SC65)			DS *	
					HO/DS* SS* SS/HO*	

* Not available on SC64 and SC65

	Cylinder	Size	Cover	Finish	Arm Type	Accessories
SC90 Series	STD (with backcheck)	1 (SC91)	Full**	Aluminum	Rw/PA	Plate, SC90-18TJ**
		3 (SC93)	Less	Dark Bronze	Hw/PA	Plate, SC90-18PA**
	WOBC* (without backcheck)	4 (SC94)		Brass		

* only SC91.

** Available only for SC93 and SC94

	Cylinder	Finish
SC R85 Series	STD	Ivory
	HO	Dark Brown

	Cylinder	Size	Arm Type	Arm Finish	Accessories
OHC100A Series	STD	90°	S (Side Load Arm)	Aluminum	AFK Bracket
	HO	105°	A (End Load Arm) VO (Offset Arm and Track)	Dark Bronze (available on VO arm only)	GE Pivot* DP Pivot*

*Not available with VO Arm Type

Mechanical Door Closers

Door Hardware Made Easy!

Dor-O-Matic offers a comprehensive product range to control the movement of your doors. We understand that building owners need to strike a balance between opening security, safety and durability at a cost that meets business objectives. Dor-O-Matic products are designed to meet the most common installation and application requirements in the commercial marketplace so that our products exceed the needs of customers who value reliable door control products, excellent service and prompt delivery.

Dor-O-Matic Products – Great Solutions for Every Application

To guarantee the correct solution for each application, it is imperative to know two things: the expectations of the building owner and patrons, as well as any local code requirements. In today's commercial marketplace, building owners demand reliability from an opening and service provider; that's why Dor-O-Matic is a natural choice for opening solutions.

Frequency and fluidity of movement is important to consider when choosing a door closer. Dor-O-Matic has closers for every application, from low-cycle storeroom doorways to high-frequency entrance openings. This catalog highlights our product offering as well as special features, including a variety of arm options, covers and finishes.

Door Closers – It's a Matter of Control

You may think a door closer only controls the opening and closing cycles of a door, but it does much more than that. A dependable door closer is critical to a building's safety, security and accessibility. It also affects the durability of the door, as well as the aesthetics of the building.

The Value of Safety

When a fire occurs, self-closing doors are a critical element in any building's fire safety strategy, presenting barriers to fire and smoke. But, self-closing doors are only as effective as the reliability of their door closers. Dor-O-Matic door closers are precision engineered and tested, assuring reliable performance for every opening.

The Value of Security

The security of every perimeter door is crucial to the overall safety of any building. Door closers are a vital part of a building's security. Each door needs to close completely and securely if the locking and access systems are to function properly; otherwise, the whole building and its occupants are at risk.

The Value of Accessibility

Easy accessibility for people with special needs is important to every building. Dor-O-Matic offers a wide range of products that enhance building access to accommodate people with disabilities and special needs. Features such as opening force adjustability, hold-open arms and delayed action ensure easy access for everyone.

The Value of Design

Combining form and function, Dor-O-Matic products not only work reliably, they incorporate design and aesthetic elements – such as our concealed products, cover options and finishes – to give door openings visual appeal.

Why Choose Dor-O-Matic?

Dor-O-Matic offers a wide range of quality door closers that are consistently reliable, durable and economical. In addition, they're easy to select, easy to install, and they make it easy to bundle your hardware! When it comes to door closers, choosing Dor-O-Matic is an open and shut case!

Easy to Select

- Simple and clear product range
- Durable and reliable offerings
- Comprehensive cover and finish options

Easy to Install

- Common hole pattern for fast installation
- Tri-pack mounting fasteners for most common applications
- Fast and accurate installation
- Easy access, tamper-resistant adjustment screws

Easy to Bundle

Dor-O-Matic, combined with other Ingersoll Rand door hardware products, offers the most comprehensive and suited range to create safe, secure and productive environments.

A Door Closer for Every Application

Door closers are tested under strict guidelines to meet minimum industry standards, whether it is 500,000 or 1,500,000 cycles. How and where the door closer will be used is important in determining the correct closer for each application. Knowing the opening application and usage frequency will assist in selecting the best closer to meet the unique opening needs. As a guide, an average usage chart is reproduced below.

Building	Expected Frequency	
High Frequency / Heavy Duty	Daily	Yearly
Large Department Store Entrance	5,000	1,825,000
Large Office Building Entrance	4,000	1,460,000
Hospital Corridor & Surgical Doors	3,000	1,095,000
School Entrance	1,250	456,250
Medium Frequency / Medium Duty		
Hospital Consultation Rooms	100	36,500
School Corridor	100	36,500
Office Building Corridor	80	29,200
Storage Room	50	18,250
Low Frequency / Light Duty		
Residential Entrance	30	10,950
Residential Interior	20	7,300

Surface Closer Cross Reference

Dor-O-Matic	SC71 ¹	SC80 ² , SC81 ²	SC60 ³ , SC61 ³	SC94, ⁴ SC91
Norton	7500 ¹ /7700 ¹	P8300 (P8500) ²	P1600BC ³	P9304BC ⁴
Yale	P400	P3300 (P3500) ²	P51BC ³	P2304BC ⁴
Dorma	8916	8616 ²	640BCPA ³ /7302 ³	644BCPA ⁴ /7203
Corbin	DC6000	3210M76 (3210)		4604M70
Sargent	351	1430/1330 ²	1130 ³	
Ryobi	D-4550	D-3550	D-1650 ³	

¹ Indicates identical footprint. ² Indicates identical footprint. ³ Indicates identical footprint. ⁴ Indicates identical footprint.

Concealed Closer Cross Reference

Dor-O-Matic	OHC100A Series	Global	TC7000
Rixson	608, 0608, 700, 0700, 800	International	Series 100 and Series 200
Dorma	RTS88	Kawneer	Husky II
Sentinel	30 Series	Ryobi	30 Series
Jackson	20-330		

Listing & Certifications

- SC60, SC70 and SC80 series closers are certified to meet the requirements of ANSI/BHMA A156.4, Grade 1.
- SC90 series closers are certified to meet the requirements of ANSI/BHMA Standard A156.4, Grade 3.
- All closers without hold-open arms have been certified by UL and ULC.
- All closers have been certified by UL10C and UBC7.2 (1997) fire test.

Sizing

EXTERIOR (and VESTIBULE) DOOR WIDTH				INTERIOR DOOR WIDTH				
24" 610mm	30" 762mm	36" 914mm	42" 1067mm	24" 610mm	34" 864mm	38" 965mm	48" 1219 mm	54" 1372mm
	size 3	size 4	size 5		size 2	size 3	size 4	size 5
	→				→			
		→				→		
			→				→	
								→

NOTE: Size 1 meets ADA accessibility requirements (5 lbs. maximum opening force for interior doors). Please contact customer service for door weight and size limits.

SC70 Series

HOW TO ORDER

Specify arm type and finish desired.

	Cylinder	Arm Type	Finish	Fastener Pack
SC71	STD	Regular arm with parallel arm shoe	Aluminum	TBWMS
	DEL	Hold-open arm with parallel arm shoe	Dark Bronze	
		Heavy-duty arm	Brass	
		Dead stop arm		
		Hold-open with dead stop arm		
		Spring N' Stop		
		Spring N' Stop with Hold-Open		

Standard Features

- ANSI/BHMA A156.4, Grade 1
- UL Listed
- ADA compliant
- 1-1/2" diameter piston
- Hinge side, top jamb and parallel arm configuration standard with SC71 Rw/PA
- Adjustable size 1-6
- Single piece cast aluminum body
- Staked valves
- Separate adjustable general speed, latch speed, backcheck and backcheck position
- Non-handed for left and right swinging doors
- Heat treated forged steel piston
- Double heat treated pinion design
- Cover of high impact UL Listed fire retardant plastic that meets UL10C and UBC 7.2 (1997) fire test
- UL10C Approved All Weather Fluid
- No pressure relief valve
- 10 year warranty

Accessories

Narrow Frame Back Plate (SC70-18)

- Optional 3/16" thick mounting plate available for all arm mountings.
- Available in Aluminum, Dark Bronze and Brass finish.

Narrow Top Rail Drop Plate (SC70-18PA)

- Narrow Top Rail Drop Plate to be used for parallel arm and heavy-duty arm mounts (13 5/8" x 5 1/8").
- Available in Aluminum, Dark Bronze and Brass finish.

Offset PA Shoe (SC70-62A)

- Optional plate that provides the needed clearance not achieved with a standard soffit plate.
- Available in Aluminum, Dark Bronze and Brass finish.

Listings and Certification

The Dor-O-Matic SC71 is UL Approved and compliant with the UL10C and UBC 7.2 (1997) fire test. Additionally the SC71 is designed to meet the American Disabilities Act (ADA) and ANSI A117.1 Sec. 404.2.9. The SC71 is ANSI/BHMA A156.4, Grade 1 certified.

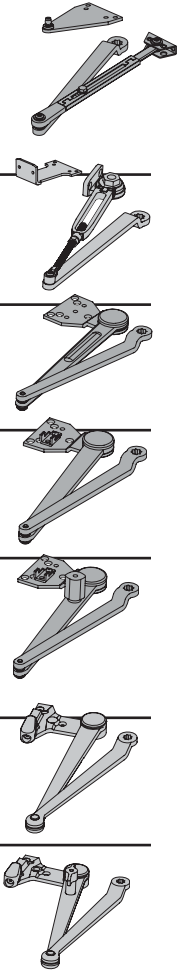
COMPETITIVE CROSS REFERENCE

Dor-O-Matic	Norton	Sargent	Yale	Dorma	Ryobi
SC71 Rw/PA	7500	351-O	P400	8916P	D-4550
SC71 Hw/PA	7500-H	351-H	4410	8916-FHP	D-4550 H
SC71 HD	PR7500	351-P10	PR400	8916SPA	D-4550 EDA
SC71 DS	CLP7500	351-PS	4420	8916DS	D-4550 S
SC71 HO/DS	CLP7500T	351-PSH	4420T	8916DST	D-4550 HS
SC71 SS	UNI 7500	351-CPS	UNI 4400	—	D-4550 CS
SC71 SS/HO	UNI 7500-H	351-CPSH	UNI4410	—	D-4550 HCS

ARM TYPES

All arms made of steel construction

- **Rw/PA** (Regular arm with parallel arm bracket) – Adjustable double arm type that includes a PA shoe for parallel arm mounting. Double arm includes main arm and adjustable slide arm. Allows for 180° door swing when conditions permit.
- **Hw/PA** (hold open arm with parallel arm bracket) - Hold-open arm with adjustable forearm assembly to accommodate a range of door and frame reveal conditions.
- **HD** (Heavy duty arm) – Heavy-duty parallel arm mounting ideal for high volume traffic or potentially abusive conditions. Allows for 180° door swing when conditions permit.
- **DS** (Dead stop arm) – Heavy duty, parallel arm includes a positive mechanical stop and non-adjustable forearm assembly for high volume traffic or potentially abusive installation conditions.
- **HO/DS** (Hold-open with Dead stop arm) – Heavy-duty, parallel arm includes a positive mechanical stop and non-adjustable forearm assembly for high volume traffic or potentially abusive installation conditions. Also includes a manually selective thumb turn hold open function. Allows for 90° to 115° hold open in 5° increments.
- **SS** (Spring N' Stop) – Extra heavy-duty, forged constructed parallel arm includes an integral spring stop and non-adjustable forearm assembly for high volume traffic or potentially abusive installation conditions.
- **SS/HO** (Spring N'Stop Hold-Open) – Extra heavy-duty, forged constructed parallel arm includes an integral spring stop and non-adjustable forearm assembly for high volume traffic or potentially abusive installation conditions. Also includes a manually selectively hold-open function.



ACCESSORIES

Narrow Frame Back Plate (SC70-18TJ)

Optional 3/16" thick mounting plate available for all arm mountings. Narrow frame back plate to be used for door mount pull side and top jamb push side mount (13 5/8" x 3 15/16"). Pull side mount requires top rail or 1 7/8", top jamb mount requires minimum face frame of 1 7/8".

Narrow Top Rail Drop Plate (SC70-18PA)

Narrow Top Rail Drop Plate to be used for parallel arm and heavy-duty arm mounts (13 5/8" x 5 1/8"). Should be used on PA mounts with a minimum top rail of 2 1/2".

Offset PA Shoe (SC70-62A)

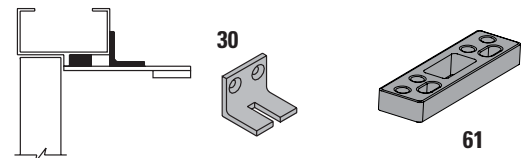
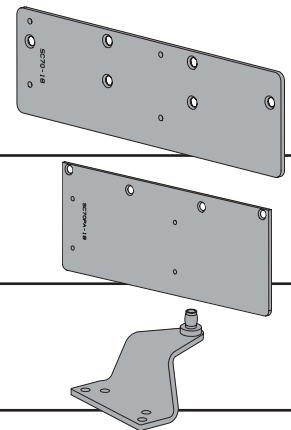
Optional plate that provides the needed clearance not achieved with a standard soffit plate. This is typically used when an overhead stop/ overhead door holder is required.

Cush Shoe Support, (-30)

Provide anchorage for fifth screw used with CUSH arms where reveal is less than 3 1/16" (78 mm).

Blade Stop Spacer, (-61)

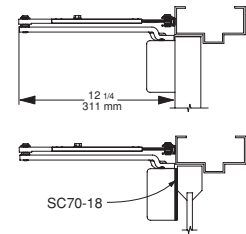
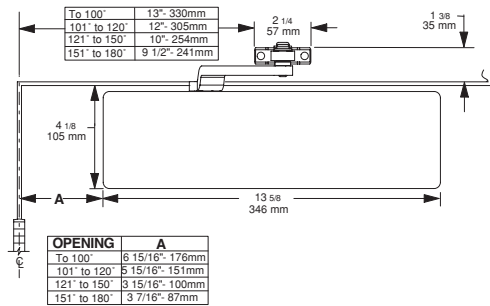
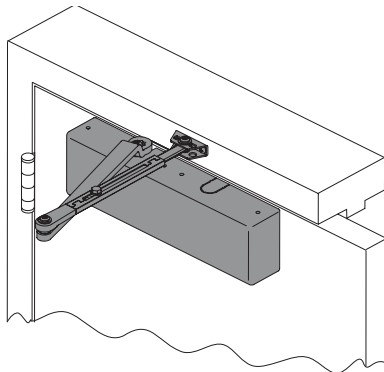
Lowers parallel arm shoe to clear 1/2" (13 mm) blade stop.



APPLICATIONS / MOUNTING STYLES

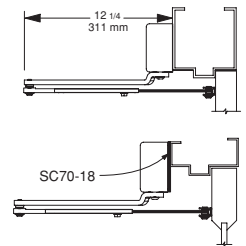
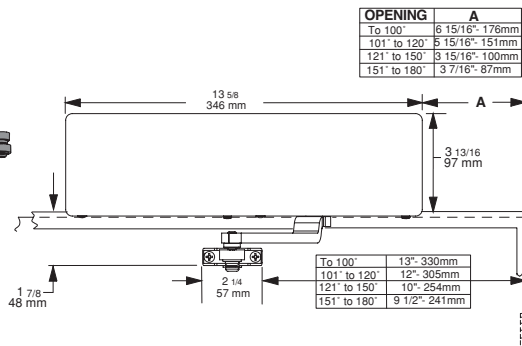
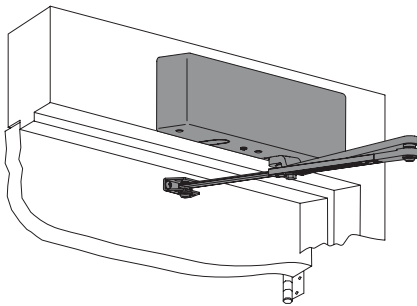
Regular Arm (Pull Side)

This pull side application is also known as Hinge Side mount because the closer is on the same side as the hinges. This type of application will provide the best power efficiency for a door closer. Key things to consider when using this application are; closer projection versus adjacent wall, ceiling clearance, and available door top rail. Regular arm mount requires a SC70-18 drop plate if top rail is less than 3 1/2"



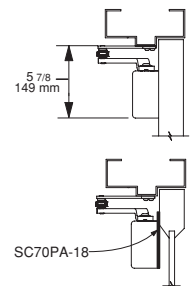
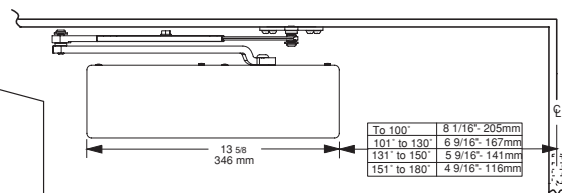
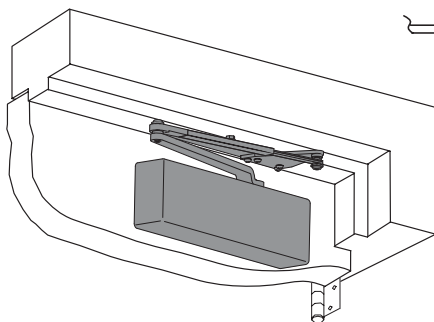
Top Jamb (Push Side)

The push side / top jamb mounting application is when the closer is mounted to the face of the head frame and the arm attaches to the top rail of the door. The closer power efficiency is second to the Pull Side Mount. Key things to consider when using this application are; height of face frame, ceiling clearance, and reveal depth. Top jamb mount required a SC70-18 drop plate if face frame is less than 3 1/8".



Parallel Arm (Push Side)

The Push side mount is when the closer is mounted to the door and the arm attaches to the underside of the head jamb. In the closed position the arm is parallel to the door. With the arm is positioned parallel to the door you are also reducing the potential of vandalism. The power efficiency of this application is lower than Pull or top jamb mount. Key considerations when using this application; door top rail, width of stop, and width of frame. Requires a 5 7/8" top rail when mounting as Rw/PA.



SAMPLE SPECIFICATION FOR LARGE CYLINDER CLOSER

2.01 CLOSERS AND DOOR CONTROL DEVICES

- A. Where manual closers are indicated for doors required to be accessible to the physically challenged, provide adjustable units complying with ANSI A117.1 provisions for door opening force and delayed action closing.
- B. Shall conform to ANSI A156.4, Grade 1, NFPA 80, NFPA 101 and UL10C.
- C. Closers shall be aluminum construction with steel lever arms, independent adjusting valves for closing, latching and back check. Hydraulic regulation controlled by tamper-proof, non-critical screw valves. All closer adjustments shall be shielded by plastic cover plate after installation. Pressure relief valve, PRV, door closers will not be permitted.
- D. Full rack-and-pinion type closer, single piece forged piston, chrome silicon steel spring, non-critical screw valves; backcheck, sweep main speed and latch.
- E. Closers to be non-sized, field adjustable from size 1 to 6.
- F. Furnish all large cylinder non-sized closers with minimum 1 1/2" diameter piston.
- G. Install closers to allow maximum degree of opening, position backcheck to activate well in advance of the stop position to cushion the opening swing and prevent door and frame damage. Do not use door closer to stop door travel. Unless specified, install closers with thru bolt mounting method on metal and wood doors. Do not thru bolt if there has been special blocking specified in the wood door specification. Coordinate with the wood door specification.
- H. Available Manufacturers:
Subject to compliance with requirements, manufacturers offering products that may be incorporated in the Work include:

Dor-O-Matic	Norton	Sargent	Yale	Dorma
SC71 Rw/PA	7501	351-O	P400	8916PA
SC71 Hw/PA	7500-H	351-H	4410	8916-FHP
SC71 HD	PR7500	351-P10	UNI 4410	8916SPA
SC71 DS	CLP7500	351-PS	4420	8916DS
SC71 HO/DS	CLP7500T	351-PSH	4420T	8916THO
SC71 SS	UNI 7500	351-CPS	P400	—
SC71 SS/HO	UNI 7500-H	351-CPSH	UNI 4400	—

Mechanical Door Closers

SC80 Series



Full Cover



Slim Cover

How to Order

Identify the desired closer size, cylinder function, cover option, arm option, fastener pack and finish.

Size	Cylinder	Covers	Arms	Fastener Pack	Finishes
1-4 (SC81)	DEL	Full	Rw/PA	TBWMS	DKBRZ
2-5 (SC80)	STD	Slim	Hw/PA DS HO/DS HD SS SS/HO		ALUM BRASS

Installation Accessories

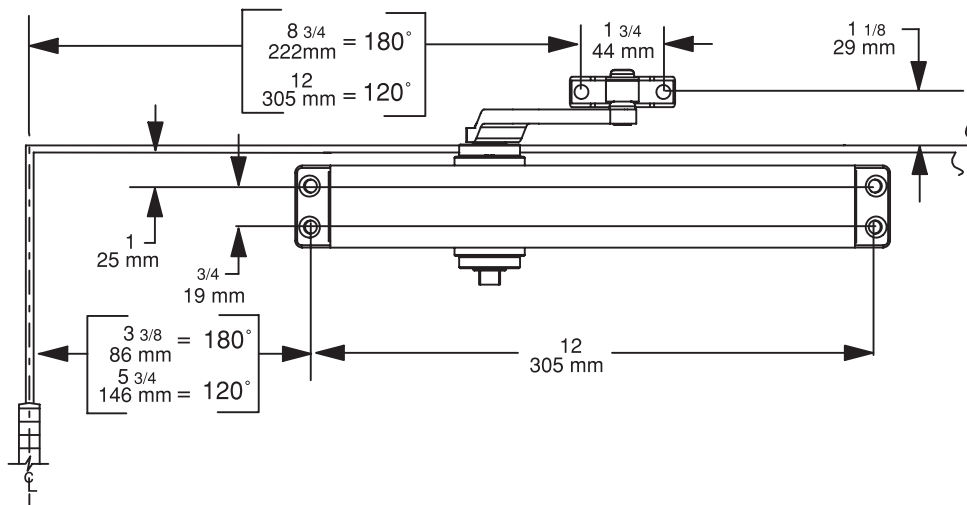
Part No.	Description	Finishes
4345*	Plate, SC80-18TJ	ALUM, DKBRZ, BRASS
4348*	Plate, SC80-18PA	ALUM, DKBRZ, BRASS

* Fits both slim and full covers

Applications

- ANSI/BHMA A156.4, Grade 1
- SC80 closers are suitable for interior doors from 30" to 54" wide and exterior doors up to 42" wide.
- SC81 closers are suitable for interior doors up to 48" wide and can be adjusted to meet the ADA accessibility requirements.
- UL10C approved all weather fluid
- Ten year warranty

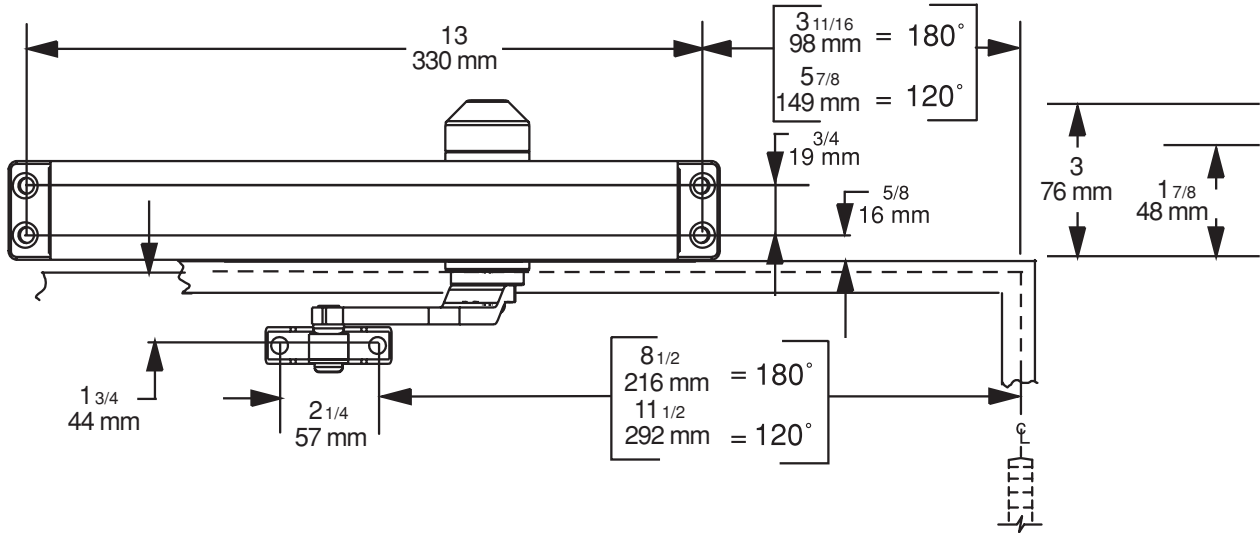
Regular Arm (Pull Side)



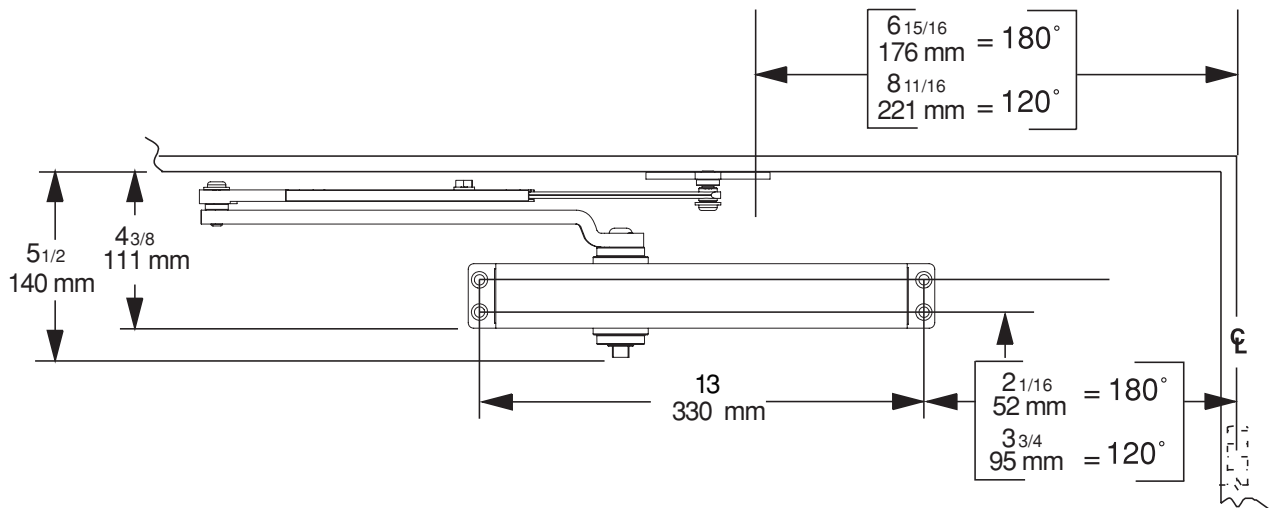
DOR-O-MATIC®

Door Hardware Made Easy!

Top Jamb (Push Side)



Parallel Arm (Push Side)

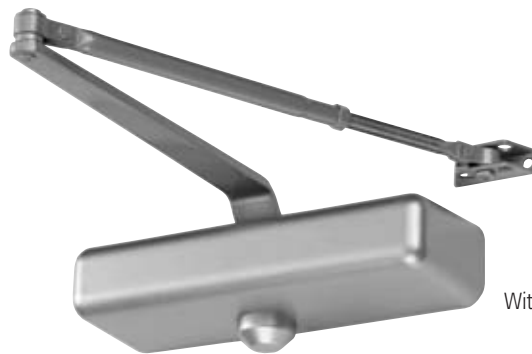


Mechanical Door Closers

SC60 Series



Less Cover



With Cover

How to Order

Identify the desired spring power, cylinder function, cover option, arm option, fastener pack and finish.

Size	Cylinder	Covers	Arms	Fastener Pack	Finishes
1-4 (SC61)	DEL*	Cover*	Rw/PA	TBWMS	DKBRZ
2-5 (SC60)	STD	Less	Hw/PA*		BRASS* ALUM
4 (SC64)			DS*		
5 (SC65)			HO/DS*		
			HD*		
			SS*		
			SS/HO*		

*Not available on SC64 and SC65

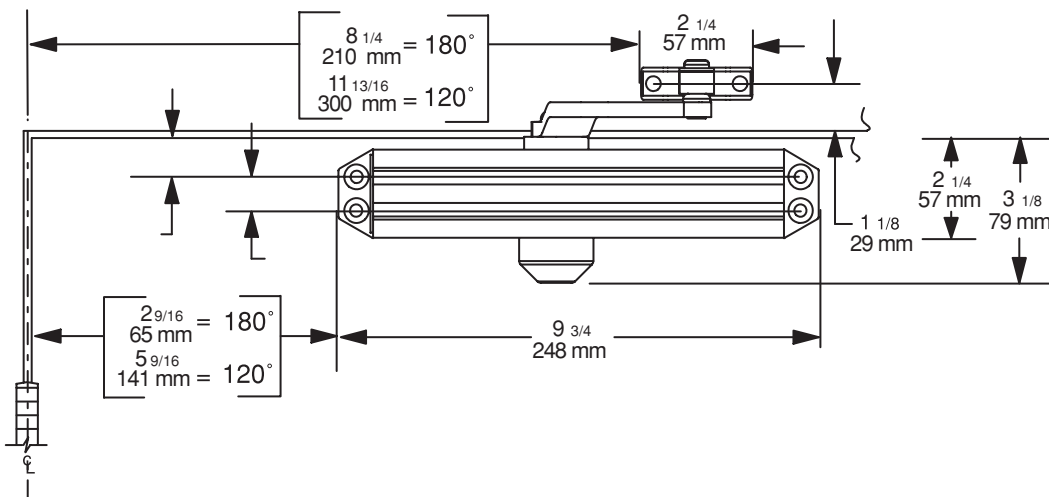
Installation Accessories

Part No.	Description	Finishes
4327	Plate, SC60-18TJ	ALUM, DKBRZ, BRASS
4357	Plate, SC60-18PA	ALUM, DKBRZ, BRASS

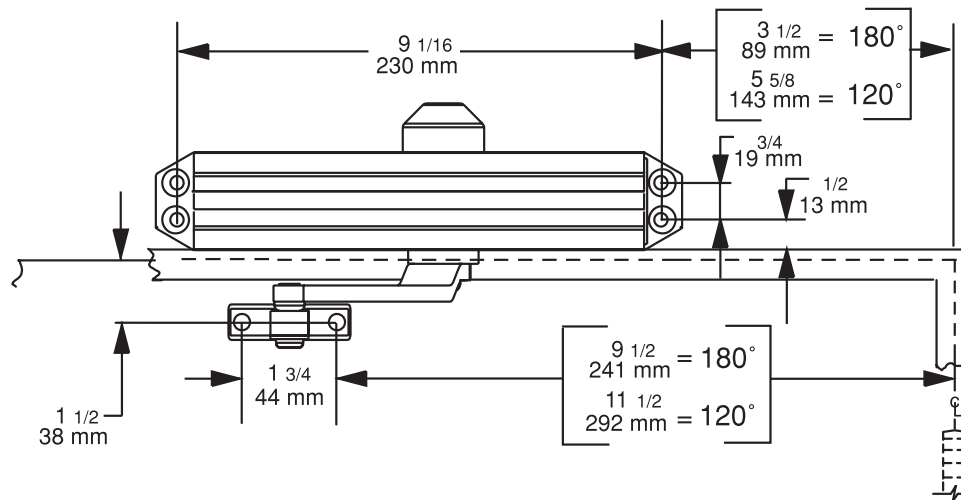
Regular Arm (Pull Side) SC60 and SC61 Only

Applications

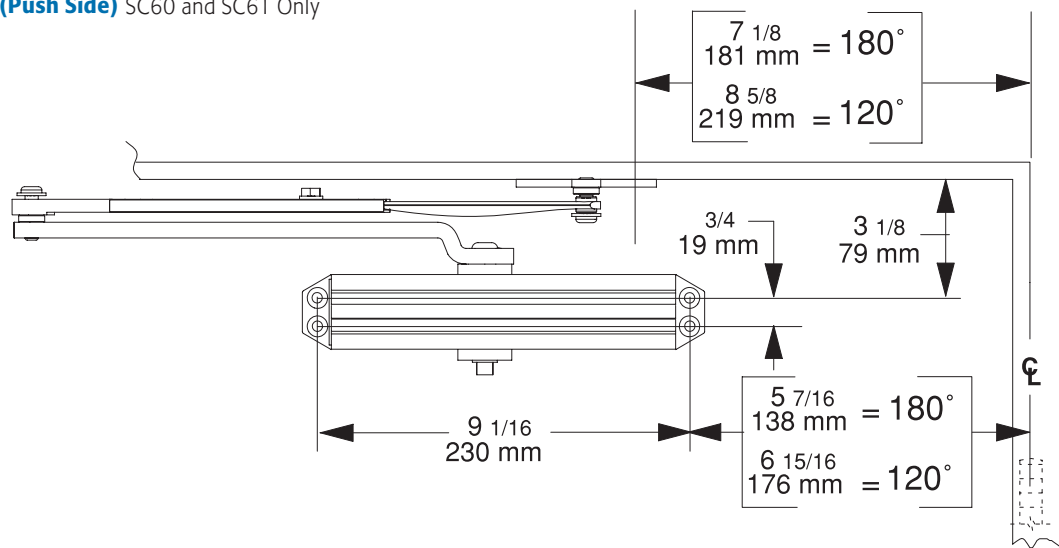
- ANSI/BHMA A156.4, Grade 1
- SC60 closers are suitable for interior doors from 30" to 54" wide and exterior doors up to 42" wide.
- SC61 closers are suitable for interior doors up to 48" wide and can be adjusted to meet the ADA accessibility requirements.
- UL10C approved all weather fluid
- Ten year warranty



Top Jamb (Push Side) SC60 and SC61 Only



Parallel Arm (Push Side) SC60 and SC61 Only



Mechanical Door Closers

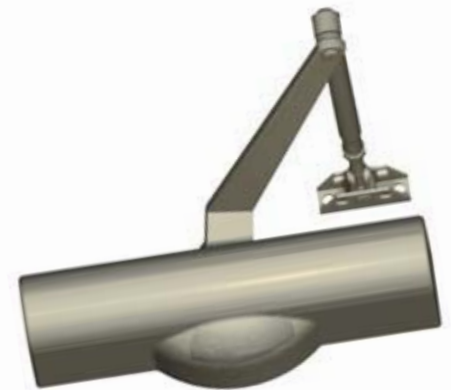
SC90 Series



SC91



SC93 and SC94



SC93 and SC94 with Slim Full Cover

How to Order

Identify the desired closer size, cylinder function, cover option, arm option, fastener pack and finish.

Size	Cylinder	Full Cover	Arms	Fastener Pack	Finishes
1 (SC91)	STD	Slim**	Rw/PA	TBWMS	ALUM
3 (SC93)	WOBC*		Hw/PA		DKBRZ
4 (SC94)					BRASS

* SC91 available only without backcheck

** SC93 and SC94 available with Full cover option

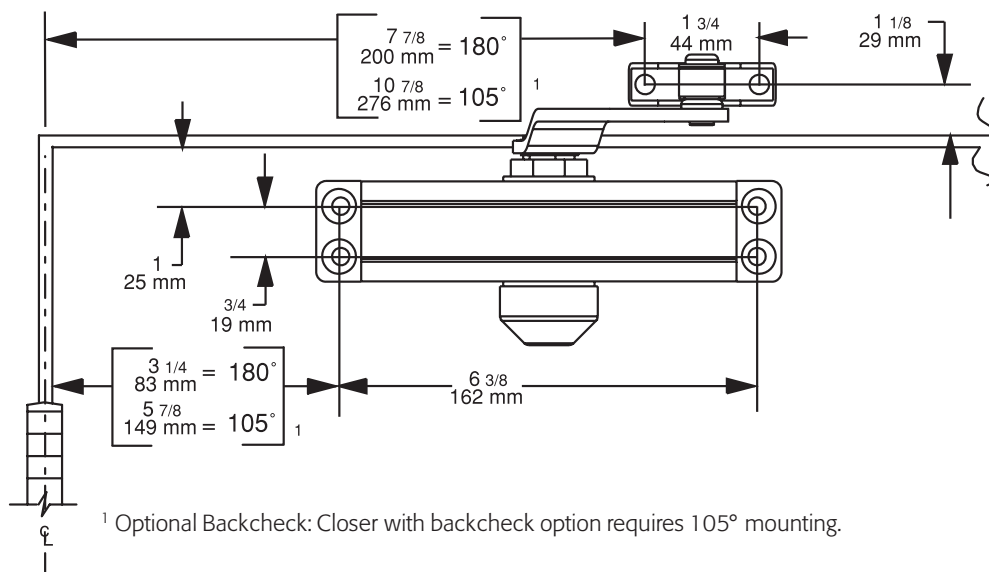
Installation Accessories (only for SC93 and SC94)

Part No.	Description	Finishes
4327	Plate, SC90-18TJ	ALUM, DKBRZ, BRASS
4357	Plate, SC90-18PA	ALUM, DKBRZ, BRASS

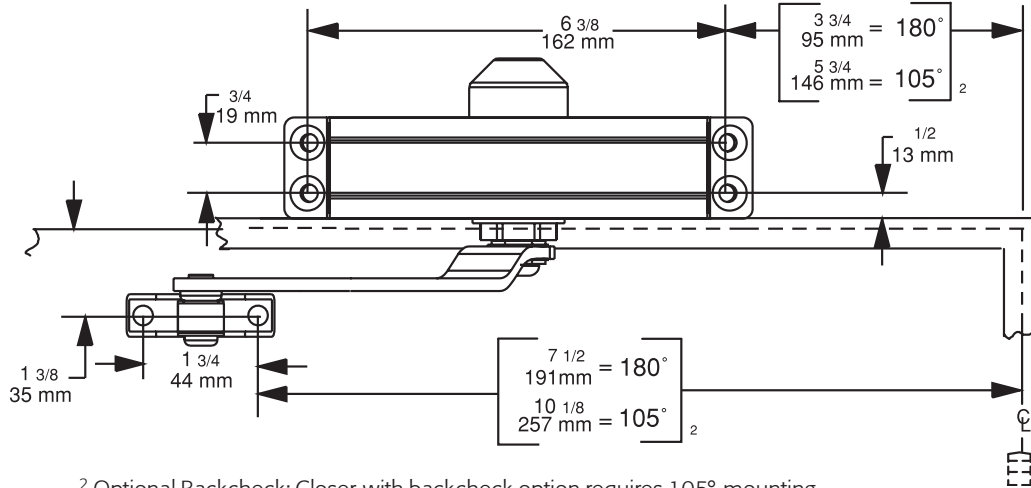
Applications

- ANSI / BHMA A156.4, Grade 3
- SC91 closers are suitable for lightweight interior doors and are preset. They meet ADA accessibility requirements.
- UL10C approved all weather fluid
- Ten year warranty

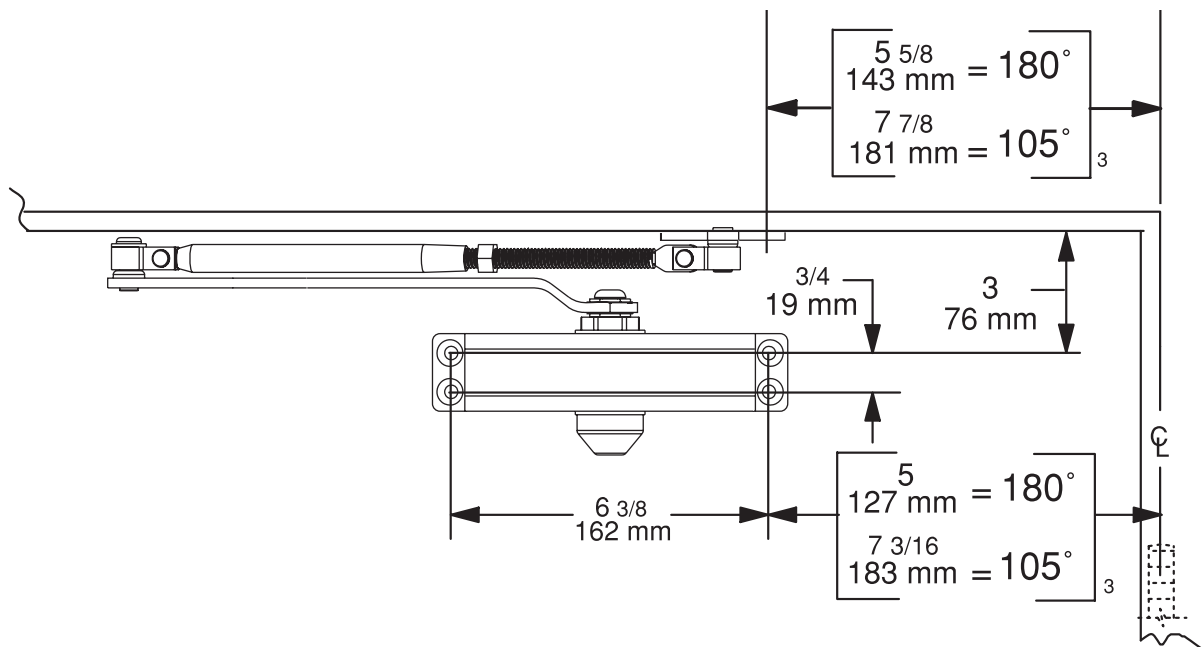
Regular Arm (Pull Side) SC91 Shown, for SC93 and SC94 see SC60 Dimensions



Top Jamb (Push Side) SC91 Shown



Parallel Arm (Push Side) SC91 Shown



Mechanical Door Closers

SC R85 Series



Light Commercial / Residential Door Closer

How to Order

Select finish and arm type (Hold-Open and Non-Hold-Open).

MODEL NUMBER	DESCRIPTION
SC R85	Residential Ivory Door Closer Non-Hold-Open
SC R85	Residential Dark Brown Door Closer Non-Hold-Open
SC R85H	Residential Ivory Door Closer w/ Hold-Open
SC R85H	Residential Dark Brown Door Closer w/ Hold-Open

Available in case quantities only, 5 per case.

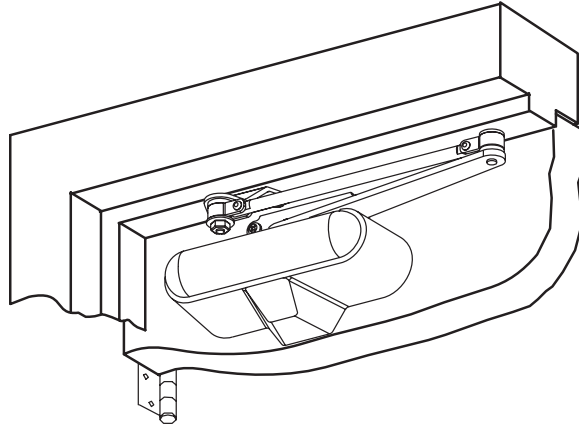
FEATURES

- Fast and Accurate Installation
- Adjustable Closing Speed
- For Interior Doors up to 85 lbs and 36" Wide
- 5 year warranty
- UL Listed (Non-Hold-Open only)
- Available in Ivory & Dark Brown
- Parallel Arm Mount only

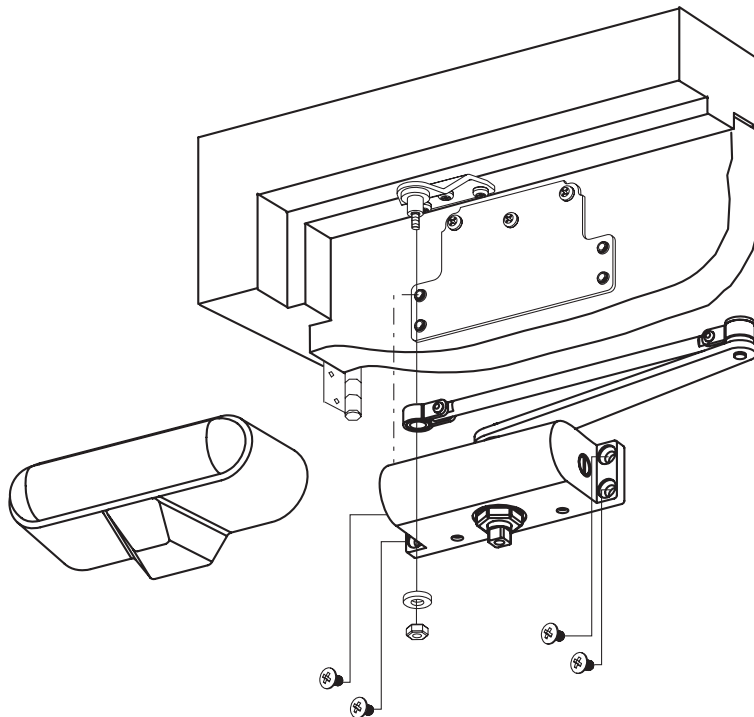
DOR-O-MATIC®

Door Hardware Made Easy!

Parallel Arm (Push Side)



Parallel Arm (Left hand shown, right hand opposite)



Mechanical Door Closers

OHC100A Series



Dor-O-Matic Adjustable Overhead Concealed Closers offer an aesthetically pleasing way to control a door opening. They are suitable for a wide range of both interior and exterior applications, including aluminum, wood, and hollow metal doors and frames. In addition to providing years of maintenance-free operation, the Dor-O-Matic OHC100A Series is easy to select, easy to order, and easy to install.

FEATURES

- Easy to adjust Closing and Latch Speeds after installation
- Easily fits into headers as small as 1-3/4" x 4"
- Positive centering to hold door closed against wind or draft
- Adjustable Closing Force, ANSI size 2-4
- 5 year warranty
- UL Listed (non-hold-open only)

DOR-O-MATIC®

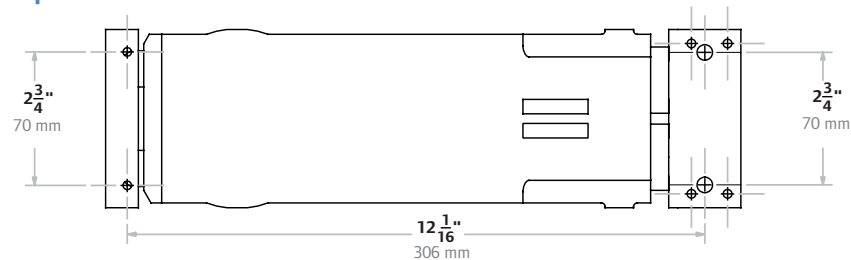
Door Hardware Made Easy!

Adjustable Overhead Concealed Door Closers

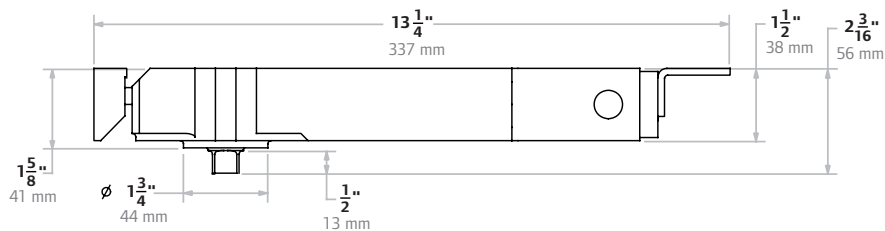
Dor-O-Matic adjustable overhead concealed door closers offer an aesthetically pleasing way to control a door opening. They are suitable for a wide range of both interior and exterior applications, including commercial aluminum frames. In addition to providing years of maintenance-free operation, the Dor-O-Matic OHC100 A Series is easy to select, easy to install, and easy to bundle with other Ingersoll Rand hardware.

- Fully adjustable (2-4) without compromising accessibility
- Durable cast iron construction ensures product longevity
- Non-handed spring adjustable for easy on-site door installation
- Fits inside standard aluminum frame header for aesthetics and minimizes vandalism
- Easy to read instruction sheets for easy and accurate installation
- Optional 90° and 105° hold-open to ease accessibility on non-fire doors
- 5-year guarantee for peace of mind

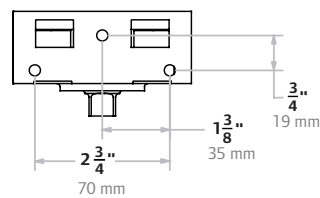
Top View



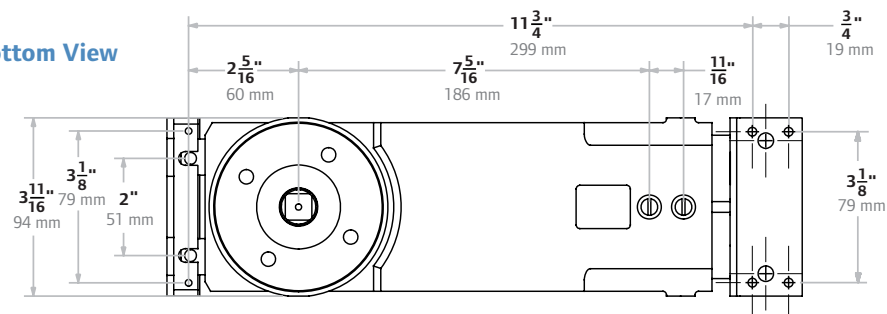
Side View



End View



Bottom View



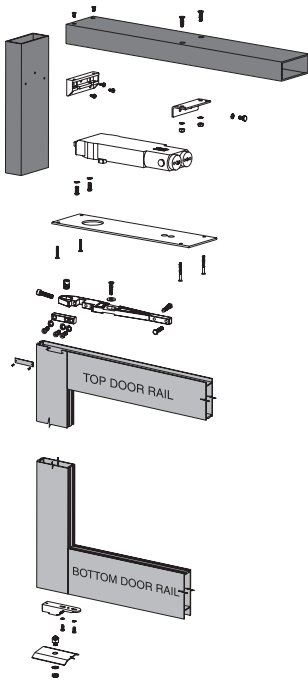
Mechanical Door Closers

OHC100A Series

Mounting Application Aluminum Door and Frame

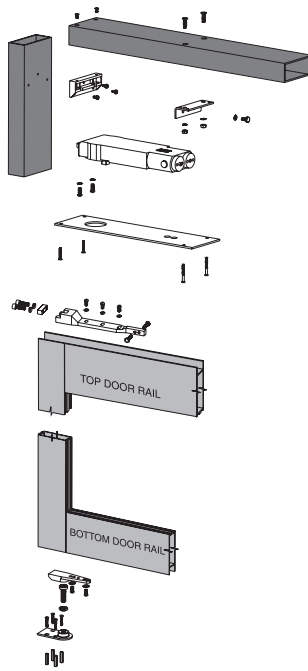
Side Load

Double or Single-Action
Aluminum Door and Frame
1/2" Top Rail



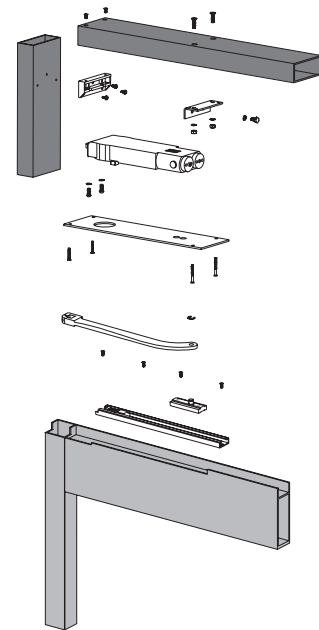
End Load

Double or Single-Action
Aluminum Door and Frame
1" Top Rail



VO Offset Track

Single-Action
Aluminum Door, Frame and Hinges
7/8" Top Rail



*Cover plate and fasteners to be provided by frame manufacturer.

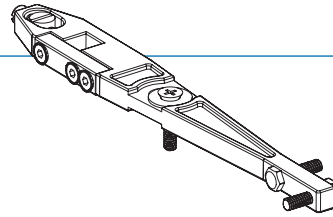
DOR-O-MATIC®

Door Hardware Made Easy!

Spares & Accessories

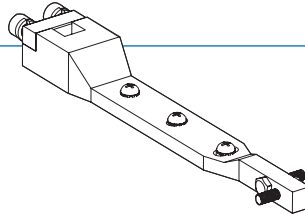
Side Load Arm Kit—OHC100-SL

"S" style side load arm for 1/2" (13 mm) top rail depth.



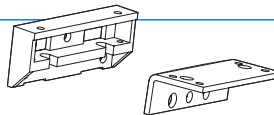
End Load Arm Kit—OHC100-EL

"A" style end load arm for 1" (25 mm) top rail depth.



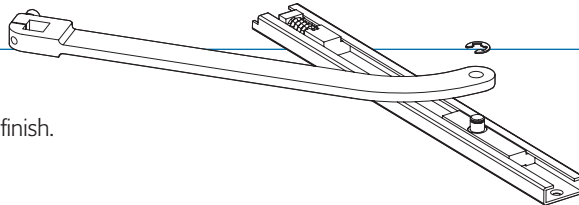
AFK Bracket—OHC100-AFK

Mounting bracket and hardware that allows for easier access to cylinder after installation.



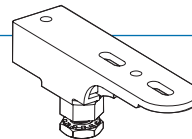
VO Offset Arm and Track—OHC100-VO

"VO" style offset arm and track for 7/8" (22 mm) top rail depth with universal 90° or 105° slider and spring stop. Available in Aluminum or Dark Bronze finish.



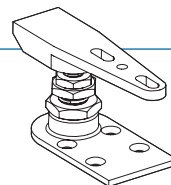
GE Pivot—OHC100-GE

Adjustable height and capacity up to 180 lb / 82 kg door weight. For use on side load applications.



DP Pivot—OHC100-DP

Adjustable height and capacity up to 180 lb / 82 kg door weight. For use on end load applications.



Sample Specifications OHC100A Series

Non-handed and spring adjustable (2-4) with closing and latch speed adjustments. Steel piston and cast iron construction for enhanced durability. Easily conceals in standard 1-3/4" x 4" aluminum header.

Optional features include:

- | | | |
|-------------------------|------------------------------|-------------------------------|
| · End Load Arm | · 90° Non-Hold-Open Cylinder | · 105° Non-Hold-Open Cylinder |
| · Side Load Arm | · 90° Hold-Open Cylinder | · 105° Hold-Open Cylinder |
| · VO Offset Arm & Track | | |

SC Series

SC Closer Configuration

To meet your unique requirements, SC closers can be configured by selecting specific options. To verify availability of options please contact customer service.

Cylinder Options

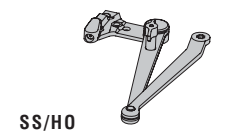
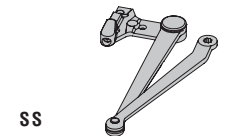
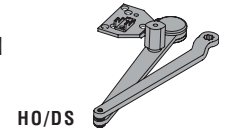
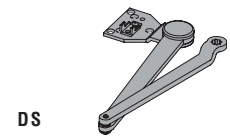
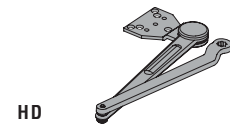
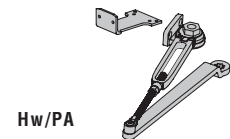
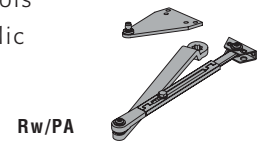
- **STD** (standard cylinder) - Standard cylinder provides a main speed function to control the motion of the door from maximum opening angle until the door is a few inches from the latch where function controls the final closing motion. The opening swing is controlled by the hydraulic backcheck function from about 70° to maximum opening angle.
- **WOBC** (without backcheck) - Special cylinder provides a main speed function to control the motion of the door from maximum opening angle until the door is a few inches from the latch where latch function controls the final closing motion.
- **DEL** (delayed action cylinder) - Special cylinder provides a separate delayed closing motion from maximum opening angle to approximately 70°. Then the main speed function controls the door motion until the door is a few inches from the latch where latch function controls the final closing motion. During the opening swing, the door is controlled by the hydraulic backcheck function from about 70° to maximum opening angle.

Cover Options

- **FULL** - Cover encloses the closer body and the unused pinion shaft.
- **SLIM** - Cover encloses the closer body with a cap on the unused pinion shaft.

Arm Options

- **Rw/PA** (regular arm with parallel arm bracket) - Nonhold-open arm with adjustable forearm assembly to accommodate a range of door and frame reveal conditions. Includes PA bracket to allow installation in a parallel arm configuration.
- **Hw/PA** (hold open arm with parallel arm bracket) - Hold-open arm with adjustable forearm assembly to accommodate a range of door and frame reveal conditions.
- **HD** (heavy duty arm) - Heavy-duty, parallel arm for use in high-traffic applications.
- **DS** (dead stop arm) - Heavy-duty, parallel arm includes a positive mechanical stop and nonadjustable forearm assembly for high volume traffic or potentially abusive installation conditions.
- **HO/DS** (hold open dead stop arm) - Heavy-duty, parallel arm includes a positive mechanical stop and nonadjustable forearm assembly for high volume traffic or potentially abusive installation conditions. Also includes a manually selective hold-open function.
- **SS** (Spring N' Stop) – Extra heavy-duty, forged constructed parallel arm includes an integral spring stop and non-adjustable forearm assembly for high volume traffic or potentially abusive installation conditions.
- **SS/HO** (Spring N'Stop Hld-Open) – Extra heavy-duty, forged constructed parallel arm includes an integral spring stop and non-adjustable forearm assembly for high volume traffic or potentially abusive installation conditions. Also includes a manually selectively hold-open function.



Fastener Pack

- **TBWMS** (thru bolts with wood machine screws) - Fasteners for installation on wood, hollow metal or aluminum storefront-type doors. Thru bolts for installations on 1 3/4" thick, hollow core doors are included.

ADA Accessibility Requirements

- Closers are preset at the factory or can be configured by the installer to generate less than a 5lb opening force on a 36" wide interior door to comply with the requirements of the ADA law, Sections 4.13.10 and 4.13.11, and ANSI Standard A117.1, Sections 4.13.10 and 4.13.11.
- Closers with the optional delayed closing cylinder also comply with the additional advisory suggestions of the ADA law, Section A4.13.10, and ANSI Standard A117.1, Section A4.13.10.

Warranty Period

- Dor-O-Matic SC60 series, SC70 series, SC80 series, and SC90 series closers are covered by a limited ten (10) year warranty against defects in material and workmanship.
- Dor-O-Matic SC R85 series closers are covered by a limited five (5) year warranty against defects in material and workmanship.
- Dor-O-Matic OHC series closers are covered by a limited five (5) year warranty against defects in material and workmanship.



Ingersoll Rand's Security Technologies Sector is a leading global provider of products and services that make environments safe, secure and productive. The sector's market-leading products include electronic and biometric access-control systems; time-and-attendance and personnel scheduling systems; mechanical locks; portable security; door closers, exit devices, architectural hardware, and steel doors and frames; and other technologies and services for global security markets.

www.doromatic.ingersollrand.com www.ingersollrand.com

Dor-O-Matic Closers
121 W. Railroad Avenue
P.O. Box 100
Princeton, IL 61356-0100
800-815-1517
800-666-0472 FAX
Domdoorsclosersinfo@irco.com